



AR-316 SERIES Stainless Steel Regulator

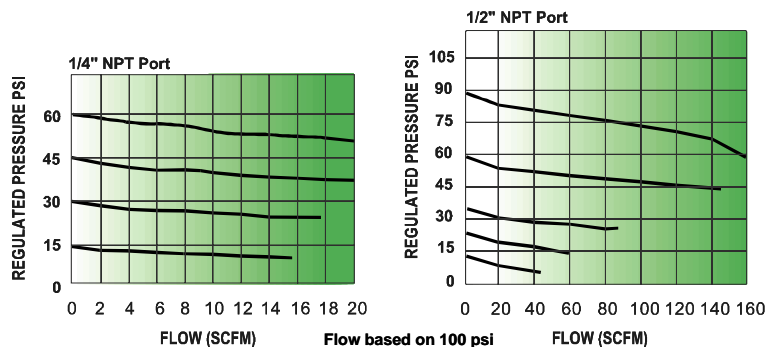
Bulletin AR-316
Regulator

The Versa AR-316 series of stainless steel regulators and filter regulators are designed to stand up to the harshest environments while providing highly accurate pressure regulation. Proven 316 stainless steel housing and filter assemblies along with fluorocarbon diaphragm construction make the AR-316 compatible with sour gas and adaptable to off-shore environments. This quality instrument is economical to buy as well as operate, and provides extremely stable and repeatable control of gas pressure. An oversized orifice helps the unit achieve high flow rates with minimal pressure drop.

The all 316 stainless steel construction is ideal for sour gas and/or corrosive environments and are NACE compliant meeting sulfide stress cracking material requirements for NACE Standard MR0175.

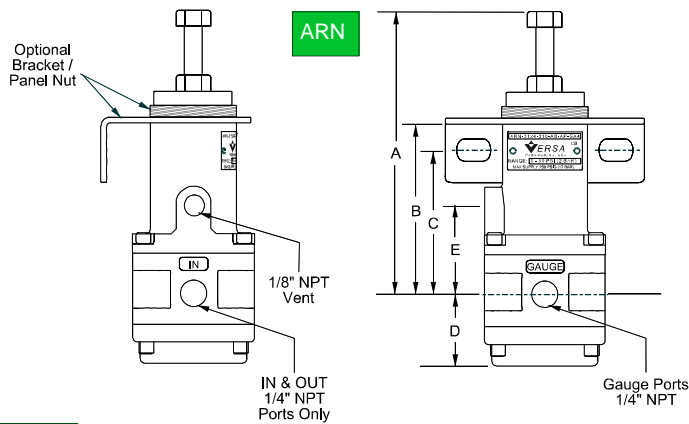
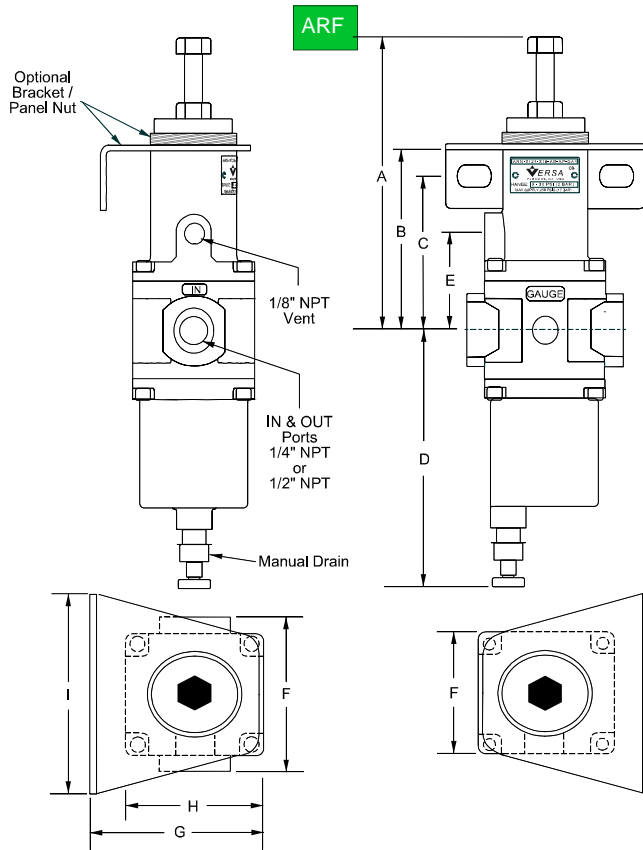
Tapped exhaust ports on the 1/4" and 1/2" NPT versions permits remote venting of hazardous gasses.

The combined characteristics of high flow capacity and minimal air consumption means efficient economical operation.



Filter: 40 micron filter Port Size: Inlet / Outlet 1/4" or 1/2" NPT Gauge (2) 1/4" NPT Exhaust 1/8" NPT Media: Pneumatic only Temperature: -20°F to 180°F (-29°C to 82°C)	Pressure Supply Max: 250 psig (17.3 BAR) Output Ranges: 0-30 psig (0-2.0 BAR) 0-60 psig (0-4.0 BAR) 0-100 psig (0-7.0 BAR) 0-150 psig (0-10.0 BAR)	Exhaust Capacity: 1.0 SCFM (1.7 m3/hr) at down stream pressure of 10 psig (0.7 BAR) above setpoint Materials: Body, bonnet, filter 316 Stainless steel Diaphragm, seals FKM (fluorocarbon) Valve spring Inconel Name tag 316 Stainless steel
---	---	---

316 Stainless Steel Regulator Ordering Information



Type ARF Part Numbers

Filter Regulator-Relieving			
Part Number *	Port Size	Output Range	
	(NPT)	(psi)	(BAR)
ARF-3114-316-†	1/4"	0 - 30.0	0 - 2.0
ARF-3113-316-†	1/4"	0 - 60.0	0 - 4.0
ARF-3112-316-†	1/4"	0 - 100.0	0 - 7.0
ARF-3111-316-†	1/4"	0 - 150.0	0 - 10.0
ARF-5114-316-†	1/2"	0 - 30.0	0 - 2.0
ARF-5113-316-†	1/2"	0 - 60.0	0 - 4.0
ARF-5112-316-†	1/2"	0 - 100.0	0 - 7.0
ARF-5111-316-†	1/2"	0 - 150.0	0 - 10.0
Non Relieving			
ARF-3124-316-†	1/4"	0 - 30.0	0 - 2.0
ARF-3123-316-†	1/4"	0 - 60.0	0 - 4.0
ARF-3122-316-†	1/4"	0 - 100.0	0 - 7.0
ARF-3121-316-†	1/4"	0 - 150.0	0 - 10.0
ARF-5124-316-†	1/2"	0 - 30.0	0 - 2.0
ARF-5123-316-†	1/2"	0 - 60.0	0 - 4.0
ARF-5122-316-†	1/2"	0 - 100.0	0 - 7.0
ARF-5121-316-†	1/2"	0 - 150.0	0 - 10.0

*Standard filter 40 Micron. For 5 Micron filter change 5th character from 1 to 2.
 Example ARF-3114 to ARF 3214.
 Manual drain supplied as standard
 † Suffix Option(s) added here as required See Suffix Options below

Type ARN Part Numbers

Relieving Regulator			
Part Number	Port Size	Output Range	
	(NPT)	(psi)	(BAR)
ARN-3014-316-†	1/4"	0 - 30.0	0 - 2.0
ARN-3013-316-†	1/4"	0 - 60.0	0 - 4.0
ARN-3012-316-†	1/4"	0 - 100.0	0 - 7.0
ARN-3011-316-†	1/4"	0 - 150.0	0 - 10.0
Non Relieving			
ARN-3024-316-†	1/4"	0 - 30.0	0 - 2.0
ARN-3023-316-†	1/4"	0 - 60.0	0 - 4.0
ARN-3022-316-†	1/4"	0 - 100.0	0 - 7.0
ARN-3021-316-†	1/4"	0 - 150.0	0 - 10.0

† Suffix Option(s) added here as required See Suffix Options below

Dimensions

Type	Port Size (NPT)	A		B		C		D		E		F		G		H		I	
		Inch	mm	Inch	mm	Inch	mm	Inch	mm	Inch	mm	Inch	mm	Inch	mm	Inch	mm	Inch	mm
ARF	1/4"	4.4	111.8	2.65	67.3	2.24	56.9	3.71	94.2	1.38	35.1	2.13	54.1	2.69	68.3	2.13	54.1	3.45	87.6
ARF	1/2"	4.54	115.3	2.79	70.9	2.39	60.7	3.98	101.1	1.52	38.6	2.72	69.1	2.69	68.3	2.13	54.1	3.50	88.9
ARN	1/4"	4.4	111.8	2.65	67.3	2.24	56.9	1.09	27.7	1.37	34.9	2.13	54.1	2.69	68.3	2.13	54.1	3.45	87.6

Repair Kits

Type	Part Number	Description
ARF	449-871-068	1/4" NPT. Relieving Type
ARF	449-871-069	1/4" NPT. Non Relieving Type
ARF	449-871-070	1/2" NPT. Relieving Type
ARF	449-871-071	1/2" NPT. Non-Relieving Type
ARN	449-871-072	1/4" NPT. Relieving Type
ARN	449-871-073	1/4" NPT. Non-Relieving Type

Weight

ARF	1/4" NPT	2.2 lbs. (1.0 kg)
ARF	1/2" NPT	2.8 lbs. (1.3 kg)
ARN	1/4" NPT	2.0 lbs. (0.9 kg)

While due care was exercised in preparing this document, Versa Products Company, Inc. shall not be liable for any inaccuracies or omissions. Specifications Subject to change without notice.

Suffix Options

Suffix Detail	Description
AB	Mounting Bracket Kit;
APN	Panel Mount Nut
GA	Pressure Gauge (2 1/2" diameter, center-back connection; stainless steel case)

Miscellaneous

Part Number	Description
ARG-030	Gauge, PSIG Range 0-30
ARG-060	Gauge, PSIG Range 0-60
ARG-100	Gauge, PSIG Range 0-100
ARG-160	Gauge, PSIG Range 0-160
463-707-051	Mounting Bracket, Stainless Steel
446-734-052	Panel Nut Stainless Steel