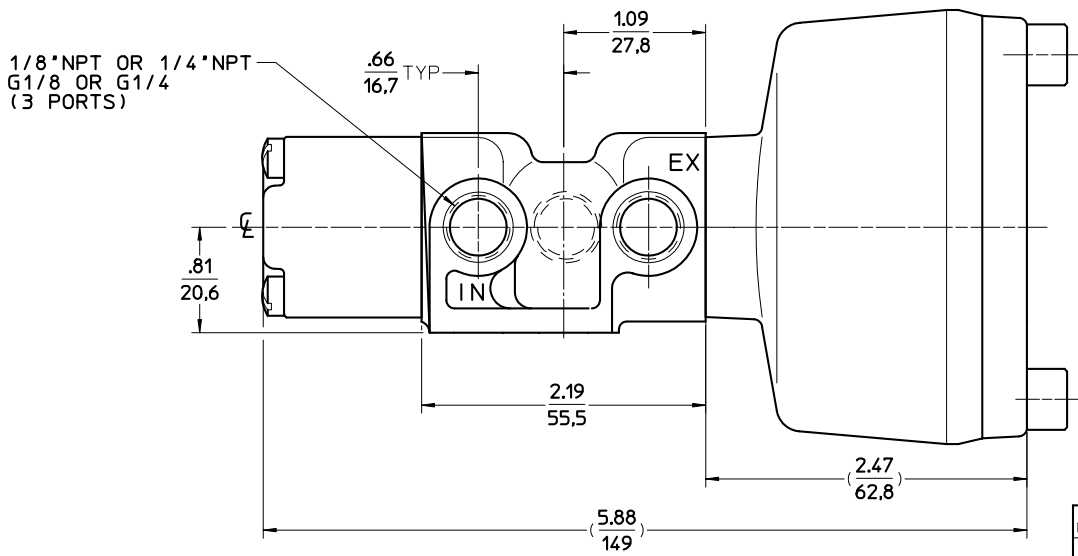
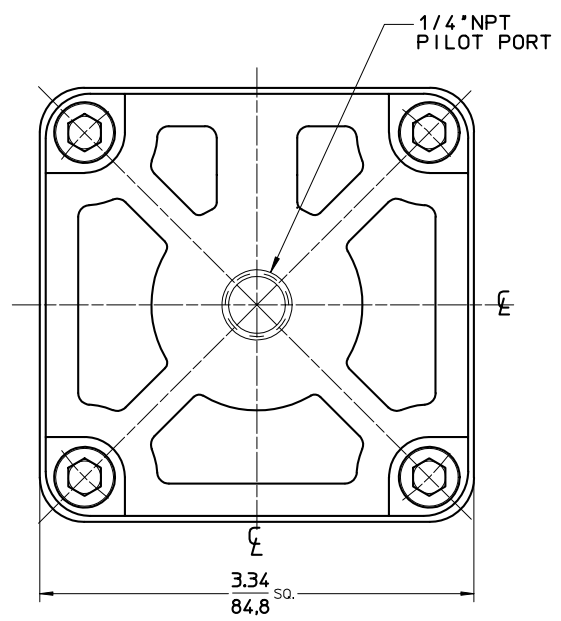
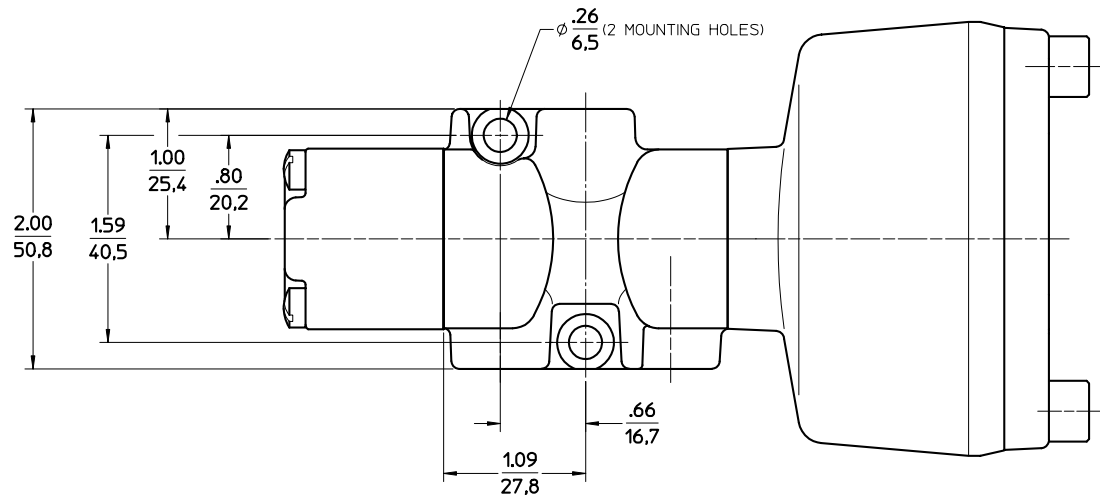


Refer to Master Copy Online for latest revision - Printed on: 3/25/2011 3:28:08 PM - Property of Versa Products Co., Inc.

DWG. NO. GV1-0098



DRAWN BY NG 8-10-06	CHECKED BY KF 8-10-06	ENG APP'D BN 8-10-06	ORIG EWR 13617	TITLE VALVE ASSEMBLY
MATL /	SCALE 1:1	NEXT ASSY /	DWG SIZE B	
UNLESS OTHERWISE SPECIFIED				
2 PLACE DECIMAL ±.010 ANGULAR DIMENSIONS ±1/2°				
3 PLACE DECIMAL ±.003 BREAK CORNERS & EDGES .010				
DIA'S ON SAME CENTERLINE CONCENTRIC WITHIN .006 T.I.R.				
MACHINED SURFACES, FINISHED TO 64 R.M.S. MAX.				
DO NOT SCALE DRAWING				
THIS DRAWING IS CAD GENERATED AND THE PROPERTY OF VERSA PRODUCTS CO., INC. USE AND/OR REPRODUCTION OF ANY PORTION MUST BE WITH THE APPROVAL OF VERSA				

A	NG 8-10-06	INITIAL RELEASE.	13617
	KF 8-10-06		BN 8-10-06
LTR	REVD/CKD BY	DESCRIPTION	EWR NO/APPD BY
REVISION LEVEL			

IN
mm



DWG. NO. GV1-0098