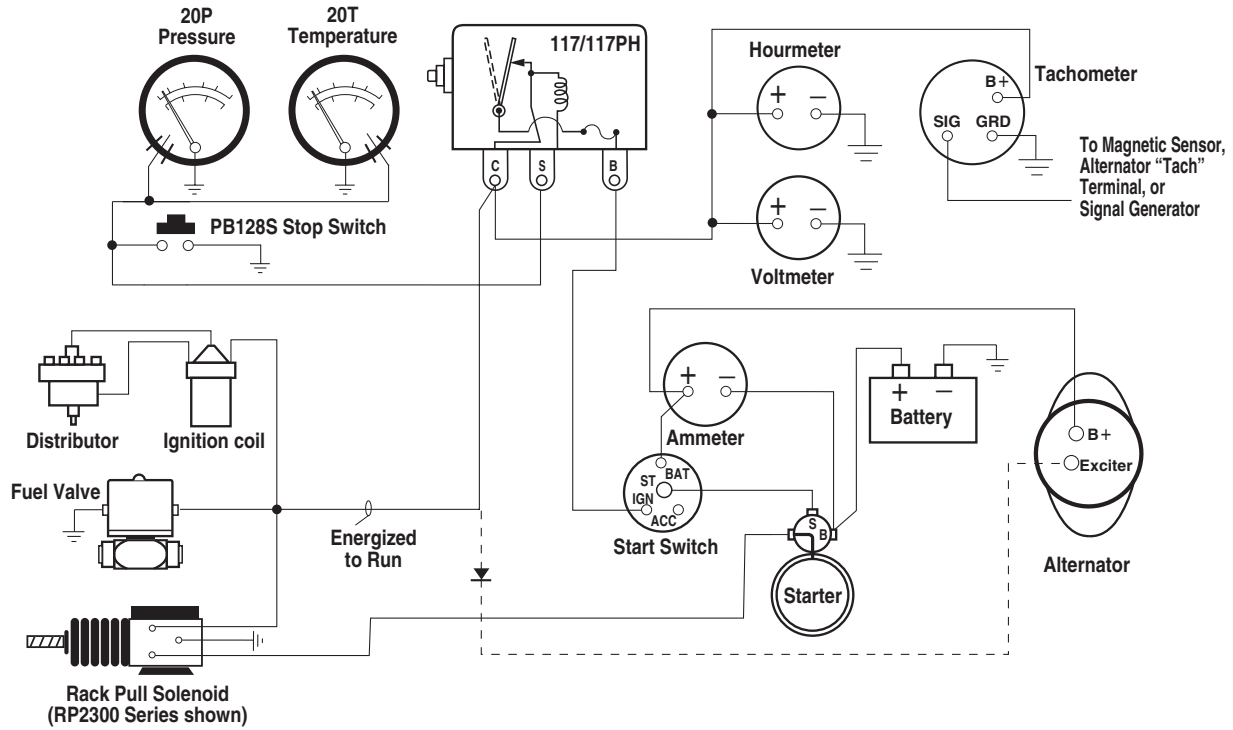


Typical Wiring Tech Sheet for Magnetic Switches and TATTLETALE® Annunciators

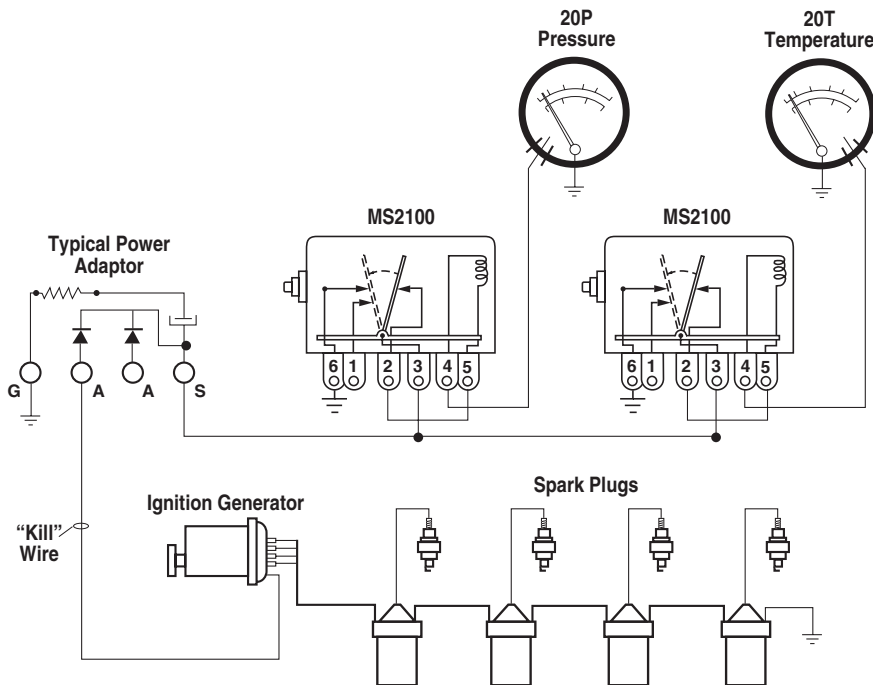
97020B
Revised 04-08
Section 25



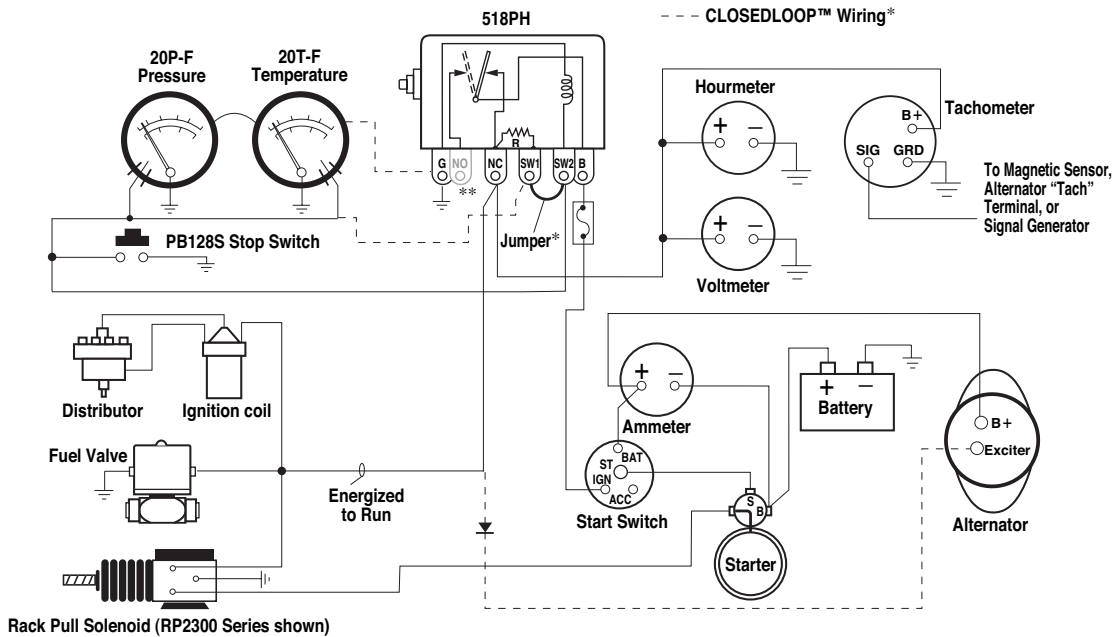
Typical Wiring Diagram with 117/117PH Magnetic Switch



Typical Wiring Diagram with MS2100 TATTLETALE®



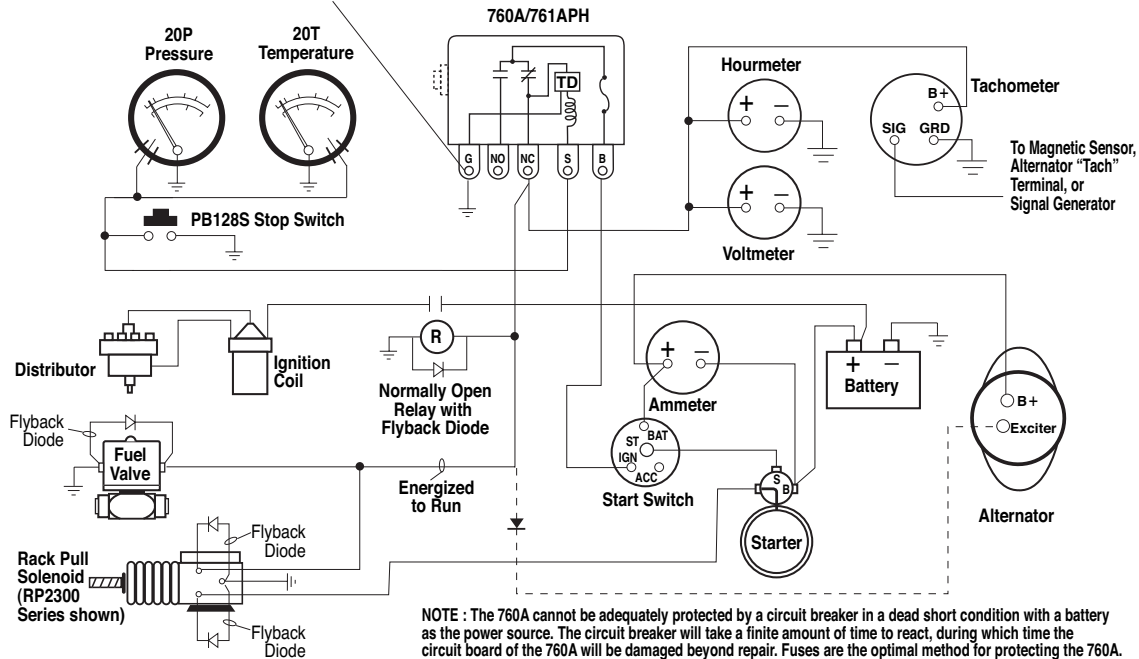
Typical Wiring with 518PH TATTLETALE®



*Jumper is to be removed when connecting a CLOSEDLOOP™ circuit.
 **Normally Opened terminal is available on the 518APH & 518E models.

Typical Wiring Diagram with 760A and 761APH

With terminal "G" grounded, the time delay operates only on start; after the initial time delay, the shut-down circuit is operated immediately when SWICHAGE® contact operates. With terminal "G" not grounded, the time delay operates both on start and stop.



NOTE : The 760A cannot be adequately protected by a circuit breaker in a dead short condition with a battery as the power source. The circuit breaker will take a finite amount of time to react, during which time the circuit board of the 760A will be damaged beyond repair. Fuses are the optimal method for protecting the 760A.

FW MURPHY

P.O. Box 470248
 Tulsa, Oklahoma 74147 USA
 +1 918 317 4100 Fax: +1 918 317 4266
 E-mail: sales@fwmurphy.com

INDUSTRIAL PANEL DIVISION

Fax: +1 918 317 4124
 E-mail: ipdsales@fwmurphy.com

MURPHY POWER IGNITION

Web site: www.murphy-pi.com

CONTROL SYSTEMS & SERVICES DIVISION

P.O. Box 1819
 Rosenberg, Texas 77471 USA
 Phone: +1 281 633 4500 Fax: +1 281 633 4588
 E-mail: sales@fwmurphy.com

FRANK W. MURPHY, LTD

Church Rd Laverstock
 Salisbury SP1 1QZ UK
 Phone: +44 172 241 0055 Fax: +44 172 241 0088
 E-mail: sales@fwmurphy.co.uk
 Web site: www.fwmurphy.co.uk

COMPUTRONIC CONTROLS, LTD

41 - 43 Railway Terrace Nechells
 Birmingham B7 5NG UK
 Phone: +44 121 327 8500 Fax: +44 121 327 8501
 E-mail: info@computroniccontrols.com
 Web site: www.computroniccontrols.com

www.fwmurphy.com

97020B page 2 of 2

FW MURPHY INSTRUMENTS (HANGZHOU) CO. LTD

77 23rd Street
 Hangzhou Economic & Technological Development Area
 Hangzhou, Zhejiang 310018 China
 Phone: +86 571 8788 6060 Fax: +86 571 8684 8878

FW MURPHY INTERNATIONAL TRADING (SHANGHAI) CO., LTD.

Suite 1784, Tower B, City Center of Shanghai; 100 Zunyi Road
 Shanghai, 200051 China
 Phone: +86 21 6237 2082 Fax: +86 21 6237 2083
 E-mail: mhong@fwmurphy.com



Printed in U.S.A.