

## **I/A Series<sup>®</sup> Pressure Transmitters**

**IAP10 Absolute Pressure and IGP10 Gauge Pressure  
with 4 to 20 mA Output Signal**

**Installation, Operation, Calibration, Configuration, and Maintenance**



# Contents

- Figures..... v**
- Tables ..... vii**
- 1. Introduction..... 1**
  - General Description ..... 1
  - Reference Documents ..... 1
  - Transmitter Identification ..... 2
  - Standard Specifications ..... 3
  - Product Safety Specifications ..... 7
- 2. Installation..... 9**
  - Transmitter Mounting ..... 9
    - Certified Flameproof Transmitter ..... 10
    - Sanitary Process Connection ..... 10
    - Pulp and Paper Process Connection ..... 12
      - Sleeve Type Connector ..... 12
      - Threaded Type Connector ..... 13
  - Typical Transmitter Piping ..... 14
  - Positioning the Housing ..... 15
  - Positioning the Display ..... 16
  - Cover Locks ..... 17
  - Wiring ..... 17
    - Accessing Transmitter Field Terminals ..... 18
    - Wiring the Transmitter to a Control Loop ..... 18
- 3. Operation..... 21**
  - Testing the Display ..... 22
  - Error Messages ..... 24
- 4. Calibration..... 25**
  - General Calibration Notes ..... 25
  - Calibration Setup ..... 27
    - Setup of Electronic Equipment ..... 27
    - Field Calibration Setup ..... 27
    - Bench Calibration Setup ..... 28
  - Calibration Using the Local Display ..... 28
  - Zero Adjustment Using External Zero Button ..... 31
  - Error Messages ..... 31
- 5. Configuration..... 33**
  - Commentary on Configuration Structure Diagram ..... 35
  - Reranging the Transmitter ..... 35
  - Character Lists ..... 36
  - Error Messages ..... 36
- 6. Maintenance..... 37**

Parts Replacement .....	37
Replacing the Terminal Block Assembly .....	37
Replacing the Electronics Module .....	37
Removing and Reinstalling the Housing Assembly .....	38
Replacing the Sensor Assembly .....	38
<b>Index .....</b>	<b>39</b>

# Figures

1	Transmitter Identification .....	2
2	Minimum Allowable Absolute Pressure vs. Process Temperature with Fluorinert Fill Fluid .....	5
3	IAP10 and IGP10 Transmitter Mounting .....	9
4	Mounting of Flameproof Transmitters .....	10
5	Mounting of Transmitter with Sanitary Tri-Clamp Connection .....	10
6	Mounting of Transmitter with Sanitary Mini Tank Spud Seal .....	11
7	Welding Procedure .....	12
8	Mounting of Transmitter with Sleeve Type Pulp and Paper Process Connection .....	13
9	Mounting of Transmitter with Threaded Type Pulp and Paper Process Connection .....	14
10	Typical Transmitter Piping .....	14
11	Hot Process Piping .....	15
12	Housing Set Screw Location .....	16
13	Positioning Display .....	17
14	Cover Lock Location .....	17
15	Accessing Field Terminals .....	18
16	Identification of Field Terminals .....	18
17	Supply Voltage and Loop Load .....	19
18	Loop Wiring .....	20
19	Wiring Several Transmitters to a Common Power Supply .....	20
20	Local Display Module .....	21
21	Top Level Structure Diagram .....	22
22	Display Test Segment Patterns .....	23
23	4 to 20 mA Output Calibration Setup of Electronic Equipment .....	27
24	Transmitter Piping .....	28
25	Bench Calibration Setup .....	28
26	Calibration Structure Diagram .....	30
27	Configuration Structure Diagram .....	34



# Tables

1	Reference Documents .....	1
2	Electrical Safety Specifications .....	8
3	Error Messages .....	24
4	Calibration Menu .....	29
5	Error Messages .....	31
6	Configuration Menu .....	33
7	Alphanumeric Character List .....	36
8	Numeric Character List .....	36
9	Error Messages .....	36





# 1. Introduction

## General Description

The IAP10-A Absolute Pressure Transmitters and the IGP10-A Gauge Pressure Transmitters measure pressure by applying the pressure to a silicon strain gauge microsensor. This microsensor converts the pressure to a change in resistance, and the resistance change is converted to a 4 to 20 mA signal proportional to the pressure. This measurement signal is transmitted to remote receivers over the same two wires that supply power to the transmitter.

For more detailed information on the principle of operation of the transmitter, refer to TI 037-096, available from Invensys Foxboro.

## Reference Documents

*Table 1. Reference Documents*

Document	Description
Dimensional Prints	
DP 020-217	Dimensional Print – IAP10 and IGP10 Pressure Transmitters with Pulp and Paper Process Connections
DP 020-218	Dimensional Print – IAP10 and IGP10 Pressure Transmitters with Sanitary Tri-Clamp Process Connections
DP 020-219	Dimensional Print – IAP10 and IGP10 Pressure Transmitters with Sanitary Mini Tank Spud Process Connections
DP 020-342	Dimensional Print – PSFLT Pressure Seals
DP 020-343	Dimensional Print – PSFPS and PSFES Pressure Seals
DP 020-344	Dimensional Print – IGP10 Gauge Pressure Transmitters (High Pressure)
DP 020-345	Dimensional Print – PSFAR Pressure Seals
DP 020-346	Dimensional Print – PSFAD Pressure Seals
DP 020-347	Dimensional Print – PSTAR Pressure Seals
DP 020-348	Dimensional Print – PSTAD Pressure Seals
DP 020-349	Dimensional Print – PSISR Pressure Seals
DP 020-350	Dimensional Print – PSISD Pressure Seals
DP 020-351	Dimensional Print – PSSCR Pressure Seals
DP 020-353	Dimensional Print – PSSCT Pressure Seals
DP 020-447	Dimensional Print – IAP10 and IGP10 Pressure Transmitters
Instructions	
MI 020-369	Instruction – Pressure Seals
MI 022-137	Instruction – Bypass Manifolds - Installation and Maintenance
Parts Lists	
PL 009-006	Parts List – IAP10 Absolute and IGP10 Gauge Pressure Transmitters
PL 009-010	Parts List – IGP10 High Gauge Pressure Transmitter
Technical Information	
TI 37-75b	Technical Information – Transmitter Material Selection Guide
TI 037-096	Technical Information – I/A Series Pressure Transmitters

## Transmitter Identification

See Figure 1 for transmitter data plate contents. For a complete explanation of the Model Number code, see the parts list. The firmware version is identified on the top line of the display when the transmitter is powered.

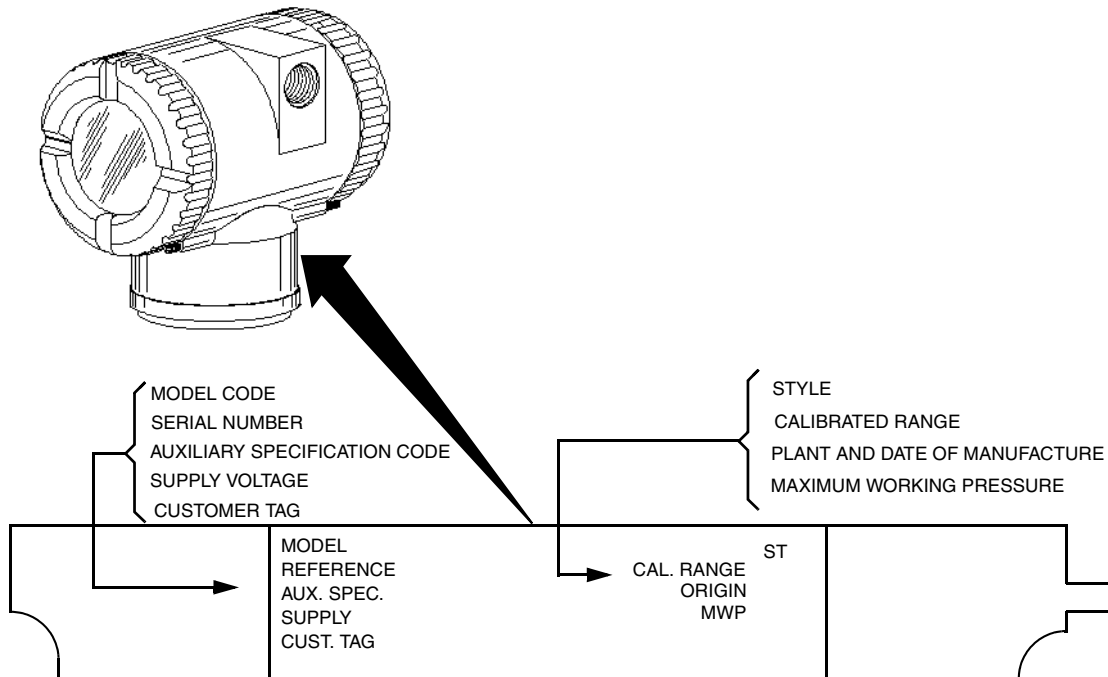


Figure 1. Transmitter Identification

## Standard Specifications

### Operative Limits

Influence	Operative Limits
Sensor Body Temperature <sup>(a)</sup> Silicone Fill Fluid Fluorinert Fill Fluid Neobee Fill Fluid pvdf Inserts	-46 and +121°C (-50 and +250°F) -29 and +121°C (-20 and +250°F) -18 and +121°C (0 and 250°F) -7 and +82°C (20 and 180°F)
Electronics Temperature With LCD Display	-40 and +85°C (-40 and +185°F) <sup>(b)</sup> -40 and +85°C (-40 and +185°F) <sup>(c)</sup>
Relative Humidity	0 and 100%
Supply Voltage <sup>(d)</sup>	11.5 and 42 V dc
Output Load	0 and 1450 ohms
Mounting Position	No Limit
Vibration	6.3 mm (0.25 in) double amplitude from 5 to 15 Hz with aluminum housing and from 5 to 9 Hz with 316 ss housing. 0 to 30 m/s (0 to 3 "g") from 15 to 500 Hz with aluminum housing and 0 to 10 m/s (0 to 1 "g") from 9 to 500 Hz with 316 ss housing.

(a) Refer to MI 020-369 for temperature limits with pressure seals.

(b) -40 and +75°C (-40 and +167°F) for transmitters with ATEX flameproof classification.

(c) Display updates are slowed and readability decreased below temperatures of -20°C (-4°F).

(d) 11 V dc with optional shorting block (AS code SB-11)

### Span and Range Limits

Span Limit Code	Span Limits <sup>(a)</sup>	Range Limits <sup>(a)</sup>
C	7 and 210 kPa 28 and 840 inH <sub>2</sub> O	0 and 210 kPa 0 and 840 inH <sub>2</sub> O
D	0.07 and 2.1 MPa 10 and 300 psi 23 and 690 ftH <sub>2</sub> O	0 and 2.1 MPa 0 and 300 psi 0 and 690 ftH <sub>2</sub> O
E	0.7 and 21 MPa 100 and 3000 psi	0 and 21 MPa 0 and 3000 psi
F <sup>(b,c)</sup>	14 and 42 MPa 2000 and 6000 psi	0 and 42 MPa 0 and 6000 psi
G <sup>(b,c)</sup>	35 and 105 MPa 5000 and 15,000 psi	0 and 105 MPa 0 and 15,000 psi
H <sup>(b,c)</sup>	70 and 210 MPa 10,000 and 30,000 psi	0 and 210 MPa 0 and 30,000 psi
K <sup>(b,c)</sup>	17 and 52 MPa 2500 and 7500 psi	0 and 52 MPa 0 and 7500 psi

(a) Values listed are in absolute or gauge pressure units, as applicable.

(b) Not available with pressure seals.

(c) Applicable to IGP10 only.

**Maximum Overrange Pressure and Proof Pressure**

Span Limit Code	Maximum Overrange Pressure <sup>(a)</sup>	Proof Pressure <sup>(a)(c)</sup>
C	0.31 MPa (45 psi)	827 kPa (120 psi)
D	3.1 MPa (450 psi)	8.27 MPa (1200 psi)
E	31 MPa (4500 psi)	79.3 MPa (11,500 psi)
F <sup>(b)</sup>	58 MPa (8400 psi)	152 MPa (22,000 psi)
G <sup>(b)</sup>	137 MPa (19,500 psi)	310 MPa (45,000 psi)
H <sup>(b)</sup>	231 MPa (33,000 psi)	567 MPa (81,000 psi)
K <sup>(b)</sup>	79 MPa (11,250 psi)	155 MPa (22,500 psi)

(a) Values listed are in absolute or gauge pressure units, as applicable.

(b) Applicable to IGP10 only.

(c) Meets ANSI/ISA Standard S82.03-1988

---

 **CAUTION**

1. Exceeding the overrange pressure limit for the transmitter can cause damage to the transmitter, degrading its performance.
  2. The transmitter may be nonfunctional after application of the proof pressure.
- 

**Suppressed Zero**

For applications requiring a suppressed zero, the maximum span and the upper and lower range limits of the transmitter can not be exceeded.

**Sensor Fill Fluid**

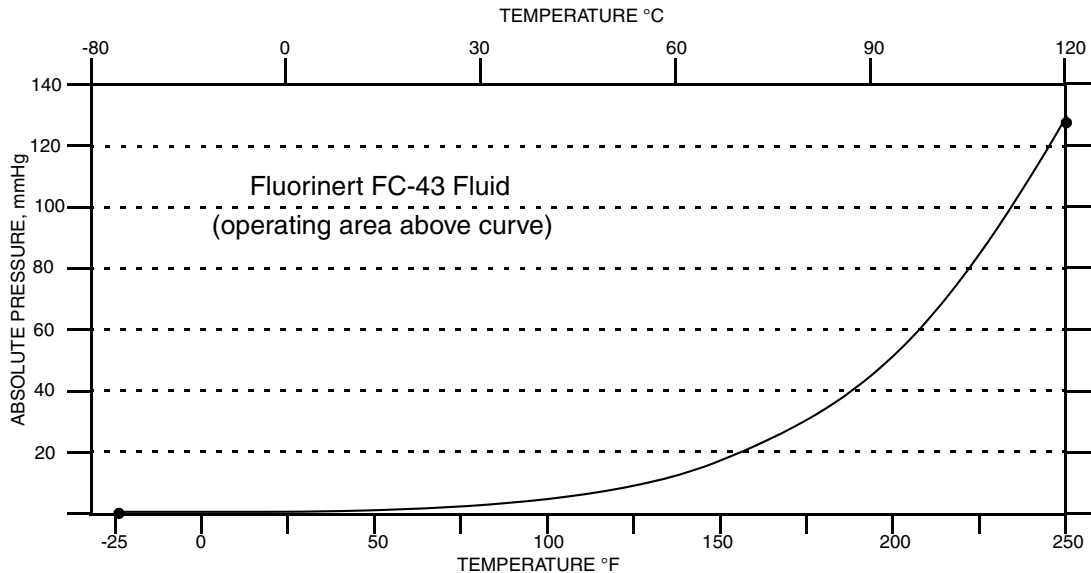
Silicone Oil (DC 200) or Fluorinert (FC-43)  
 Neobee M-20 (for transmitters with sanitary process connection)  
 Not applicable with IGP10 Span Limit Codes G and H.

**Minimum Allowable Absolute Pressure vs. Process Temperature**

IGP10: Not Applicable.

IAP10: With Silicone Fill Fluid: up to 120 °C (250 °F) at full vacuum.

With Fluorinert Fill Fluid: Refer to Figure 2.



**Figure 2. Minimum Allowable Absolute Pressure vs. Process Temperature with Fluorinert Fill Fluid**

### Mounting Position

The transmitter can be mounted in any orientation. It can be directly mounted to the process with either the direct connected or pipe mounted designs. The housing can be rotated up to one full turn to any desired position for access to adjustments, display, or conduit connections. See “Positioning the Housing” on page 15. The display (if present) can also be rotated in the housing to any of four different positions at 90° increments. See “Positioning the Display” on page 16.

#### — NOTE

Position effect zero shift for all calibrated spans can be eliminated by readjusting zero output after installation.

### Approximate Mass

IAP10, IGP10:	1.5 kg (3.3 lb)
With Optional 316 ss Housing:	Add 1.1 kg (2.4 lb)
With Pressure Seals:	Varies with seal used

### Process Connections

IAP10 and IGP10 transmitters can be directly connected to the process using its 1/2 NPT external thread or optional G 1/2 B connection. If the optional mounting bracket is used, the transmitter can be connected to the process via the 1/2 NPT external thread, 1/4 NPT internal thread, or optional G 1/2 B connection.

Using the optional mounting bracket, IGP10 transmitters with Span Limit Code G can connect to the process via the 1/4 NPT internal thread, G 1/2 B external thread, or Autoclave F-250-C with 9/16-18 internal gland thread.

Using the optional mounting bracket, IGP10 transmitters with Span Limit Code H are connected using the Autoclave F-250-C with 9/16-18 internal gland thread.

IAP10 and IGP10 Transmitters with a sanitary process connection connect to the process via a Tri-Clamp process connector, a threaded connection, or a mini tank spud.

IAP10 and IGP10 Transmitters with a pulp and paper process connection connect to the process via a threaded or sleeve type connection.

### Process Wetted Materials

IAP10 or IGP10	
Diaphragm:	Co-Ni-Cr, 316L ss, or Hastelloy C
Process Connectors:	316L ss or Hastelloy C
IGP10 with Span Limit Code G :	15-5 ss or Inconel X-750
IGP10 with Span Limit Code H:	13-8 Mo ss
Pressure Seals:	Refer to MI 020-369
Sanitary Process Connections:	316L ss, Hastelloy C
Pulp and Paper Process Connections	316L ss, Hastelloy C

### Reference Pressure Side (Low Pressure Side) Materials

IGP10: Silicon, Pyrex, RTV, 316L ss, and Ceramic  
 Not applicable with IGP10 Span Limit Codes G and H

### Process Pressure and Temperature Limits for Pressure Seals

Refer to MI 020-369

### Electrical Connections

Field wires enter through 1/2 NPT, PG 13.5, or M20 threaded entrances on either side of the electronics housing. Leads terminate under screw terminals and washers on the terminal block in the field terminal compartment. To maintain RFI/EMI, environmental, and explosionproof ratings, unused conduit connection must be plugged with metal plug (provided), inserted to five full turns.

### Field Wiring Reversal

Accidental reversal of field wiring will not damage the transmitter, provided the current is limited to 1 A or less by active current limiting or loop resistance. Sustained currents of 1 A will not damage the electronics module or sensor but could damage the terminal block assembly and external instruments in the loop.

### Adjustable Damping

The transmitter response time is normally 1.0 second or the electronically adjustable setting of 0.00 (none), 2, 4, or 8, seconds, whichever is greater, for a 90% recovery from an 80% input step as defined in ANSI/ISA S51.1.

### Output Signal

4 to 20 mA dc linear.

### Zero and Span Adjustments

Adjustable at the transmitter using the local display. An optional external self-contained moisture sealed pushbutton assembly allows local resetting of zero without removing housing cover.

### Powerup Time

Less than 2.0 seconds for output to reach the first valid measurement, then at the electronic damping rate to reach the final measured variable value.

### Supply Current

Power supply must be capable of providing 22 mA current. Ripple of up to 2 V pp (50/60/100/120 Hz) is tolerable, but instantaneous voltage must remain within specified range.

### Electrical Ground Connections

The transmitter is equipped with an internal ground connection within the field wiring compartment and an external ground connection at the base of the electronics housing. To minimize galvanic corrosion, place the wire lead or terminal between the captive washer and loose washer on the external ground screw. If shielded cable is used, earth (ground) the shield at the field enclosure **only**. Do **not** ground the shield at the transmitter.

### Test Points

The banana plug receptacles (designated **CAL**) can be used to check transmitter output. Measurements should be 100 to 500 mV dc for 0 to 100% transmitter output.

### HHT Terminals

As the top terminal is blocked, this transmitter does not communicate with the PC20, PC50, HART Communicator, or IFDC.

## Product Safety Specifications

---

### **DANGER**

To prevent possible explosions and to maintain explosionproof, dust-ignitionproof protection, observe applicable wiring practices. Plug unused conduit opening with the provided metal pipe plug, which engages a minimum of five full threads.

---

---

### **WARNING**

To maintain IEC IP66 and NEMA Type 4X protection, the unused conduit opening must be plugged. In addition, the threaded housing covers must be installed. Turn covers to seat the O-ring into the housing and then continue to hand tighten until the cover contacts the housing metal-to-metal.

---

---

### **NOTE**

1. These transmitters have been designed to meet the electrical safety description listed in Table 2. For detailed information or status of testing laboratory approvals/certifications, contact Invensys Foxboro.
  2. Wiring restrictions required to maintain electrical certification of the transmitter are provided in "Wiring" on page 17.
-

**Table 2. Electrical Safety Specifications**

Testing Laboratory, Types of Protection, and Area Classification	Application Conditions	Electrical Safety Design Code
<b>ATEX</b> flameproof: II 2 GD EEx d IIC, Zone 1.	Temperature Class T6 at 85°C (185°F) maximum ambient..	D
<b>CSA</b> explosionproof for Class I, Division 1, Groups B, C, and D; dust-ignitionproof for Class II, Division 1, Groups E, F, and G; Class III, Division 1.	Maximum Ambient Temperature 85°C (185°F).	C
<b>CSA</b> for Class I, Division 2, Groups A, B, C, and D; Class II, Division 2, Groups F and G; Class III, Division 2.	Temperature Class T6 at 40°C (104°F) and T4A at 85°C (185°F) maximum ambient.	
<b>CSA</b> field device zone certified flameproof Ex d IIC. Also, All certifications of Code C above.	Maximum Ambient Temperature 85°C (185°F).	B
<b>CSA</b> for Class I, Division 2, Groups A, B, C, and D; Class II, Division 2, Groups F and G; Class III, Division 2.	Temperature Class T6 at 40°C (104°F) and T4A at 85°C (185°F) maximum ambient.	L (IGP10 only)
<b>FM</b> explosionproof for Class I, Division 1, Groups B, C, and D; dust-ignitionproof for Class II, Division 1, Groups E, F, and G; Class III, Division 1.	Temperature Class T6 at 80°C (176°F) and T5 at 85°C (185°F) maximum ambient.	F
<b>FM</b> nonincendive for Class I, Division 2, Groups A, B, C, and D; Class II, Division 2, Groups F and G; Class III, Division 2.	Temperature Class T4A at 40°C (104°F) and T4 at 85°C (185°F) maximum ambient.	
<b>FM</b> field device zone certified flameproof AEx d IIC. Also, all certifications of Code F above.	Temperature Class T6 at 75°C (167°F) maximum ambient.	G
<b>FM</b> for Class I, Division 2, Groups A, B, C, and D; Class II, Division 2, Groups F and G; Class III, Division 2.	Temperature Class T4A at 40°C (104°F) and T4 at 85°C (185°F) maximum ambient.	R (IGP10 only)
<b>SAA</b> Ex d IIC, flameproof, Gas Group IIC, Zone 1.	Temperature Class T5 at 60°C (140°F) maximum ambient.	A
<b>SAA</b> Ex n IIC, nonincendive, Gas Group IIC, Zone 2.	Temperature Class T6.	K
<b>IECEx</b> flameproof: Ex d IIC, Zone 1.	Temperature Class T6 at 75°C (167°F) maximum ambient.	V



## 2. Installation

### — CAUTION —

To avoid damage to the transmitter sensor, do not use any impact devices, such as an impact wrench or stamping device, on the transmitter.

### — NOTE —

1. The transmitter should be mounted so that any moisture condensing or draining into the field wiring compartment can exit through one of the two threaded conduit connections.
2. Use a suitable thread sealant on all connections.

## Transmitter Mounting

The IAP10 and IGP10 transmitters with the 1/2 NPT external thread can be directly connected to the process or mounted to a vertical or horizontal pipe or a surface using the optional mounting set. See Figure 3.

For dimensional information, refer to DP 020-447. For IGP10 transmitters with Span Limit Code G, H, or K, refer to DP 020-344.

### — NOTE —

1. Do **not** directly mount the IAP10 and IGP10 transmitters to the process using the 1/4 NPT internal thread. This thread should only be used to connect to the process when the transmitter is mounted with an optional (-M1 through -M6) mounting set.
2. Do **not** directly mount IGP10 transmitters with Span Limit Code G or H. Use the optional mounting set as shown in Figure 3.
3. Do **not** mount IAP10 or IGP10 transmitters using the conduit connection and optional mounting set when vibration conditions exceed  $20 \text{ m/s}^2$  (2 "g").
4. If the transmitter is not installed in the vertical position, readjust the zero output to eliminate the position zero effect. Be aware that an absolute pressure transmitter cannot be zeroed by venting the transmitter to atmosphere.

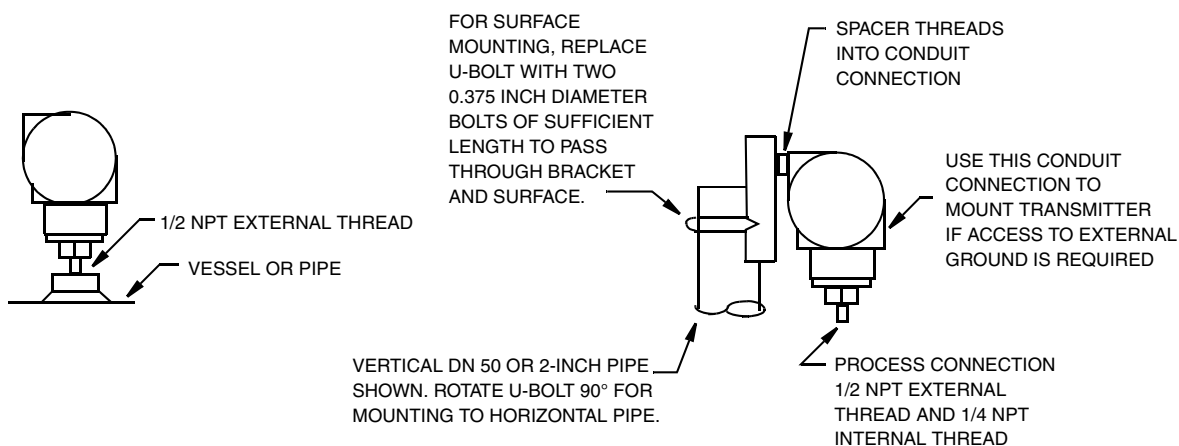


Figure 3. IAP10 and IGP10 Transmitter Mounting

### Certified Flameproof Transmitter

The IAP10 and IGP10 certified flameproof transmitters can be mounted with optional -M7 or -M8 mounting sets as shown in Figure 4.

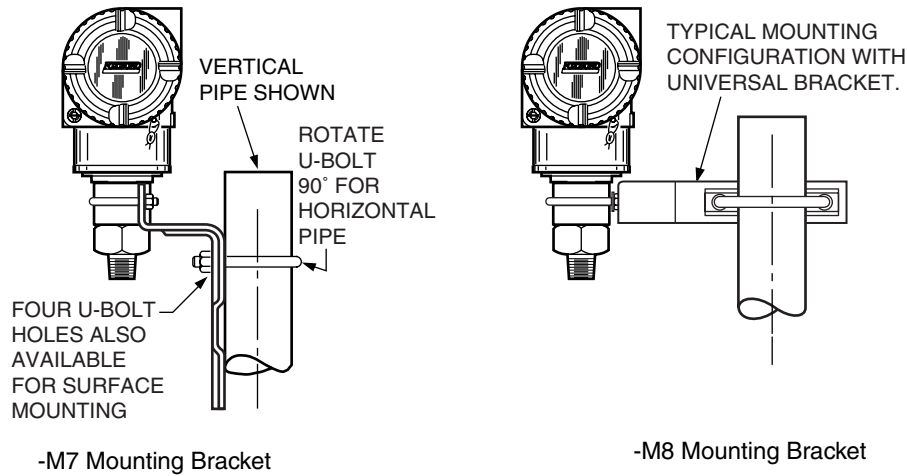


Figure 4. Mounting of Flameproof Transmitters

### Sanitary Process Connection

The IAP10 and IGP10 transmitters with a sanitary process connector employ a Tri-Clamp connection or mini tank spud seal. Install the transmitter as shown in Figures 5 and 6. For dimensional information, see the following documents:

- Tri-Clamp Connector: DP 020-218
- Mini Tank Spud Connector: DP 020-219

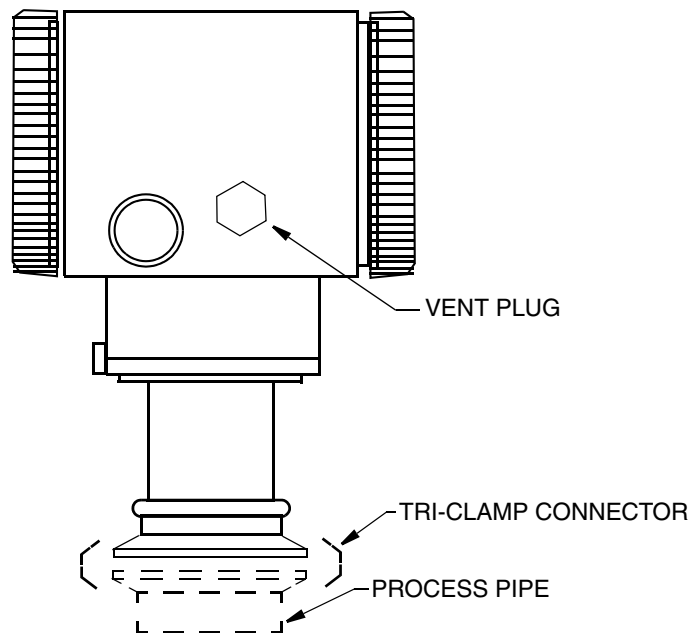
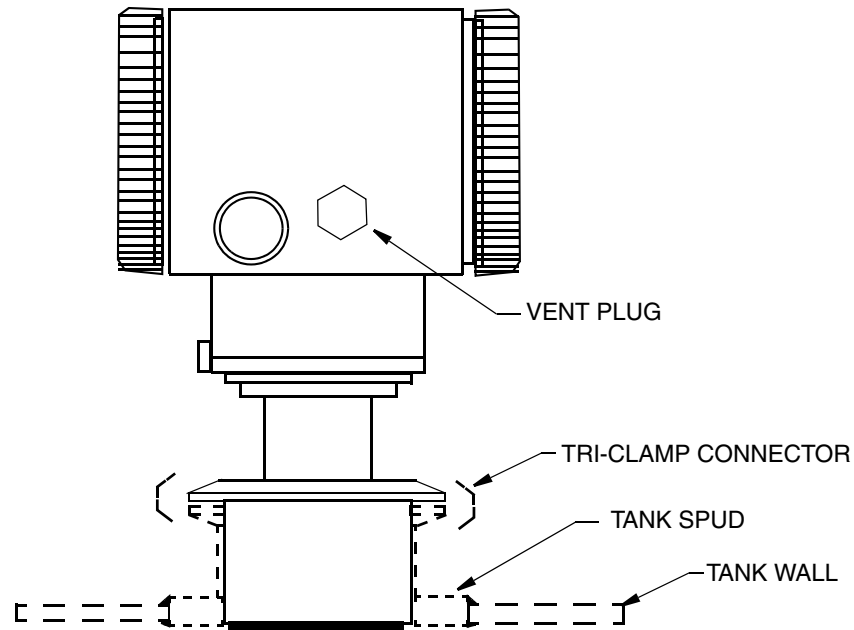


Figure 5. Mounting of Transmitter with Sanitary Tri-Clamp Connection



**Figure 6. Mounting of Transmitter with Sanitary Mini Tank Spud Seal**

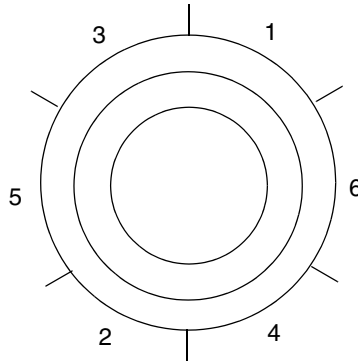
The tank spud must be welded into a hole cut in the tank as follows:

1. Cut a hole into the process vessel to accept the spud. The spud should fit snugly and uniformly. The nominal diameter of the spud is: 3.73 inch (94.7 mm). To assure that the seal is always covered by process fluid, the top of the hole should be below the minimum measurement level.
2. Position the spud mounting ring so that it aligns as close as possible with the inside wall of the tank and that the weep hole is at the bottom.
3. Tack weld the spud mounting ring to the outside of the tank in four places.
4. Weld the spud mounting ring to the inner surface of the tank per the following notes.

— **NOTE** —

1. Spud is 316 stainless steel. Use compatible welding rod. Do not distort spud mounting ring by using excessive heat.
2. Weld the spud mounting ring in sections as indicated in Figure 7.
3. After each section is welded, cool right away with water until the temperature is less than 700°F (370°C) before welding the next section.

5. Grind the weld smooth so that the surface is free from irregularities where dirt can lodge.
6. Outer surface can be welded if desired after inner weld is completed.



**Figure 7. Welding Procedure**

### **Pulp and Paper Process Connection**

The IAP10 and IGP10 transmitters with a pulp and paper process connector are available in two designs - sleeve type and threaded type. Install the transmitter as explained below. For dimensional information, see DP 020-217.

#### **Sleeve Type Connector**

1. Cut a hole into the process vessel to accept the weld spud. The spud should fit snugly and uniformly. The nominal diameter of the spud is:  
For nominal 1 inch connector: 1.32 inch (33.4 mm)  
For Nominal 1 1/2 inch connector: 1.90 inch (48.3 mm)
2. Position the sleeve into the hole so that it aligns as close as possible with the inside wall of the vessel
3. Tack weld using the welding sequence shown in Figure 7. Cool each section with water until the temperature is below 700°F (370°C) before proceeding to the next section.
4. Weld the circumference of the sleeve using compatible stainless steel welding rod.

---

— **NOTE**

The welder should meet the requirements of ANSI B31.3, ASME Section IX or other codes, if applicable.

---

5. Lubricate the O-ring with appropriate lubricant and install it into the sleeve, ensuring that it is properly seated.

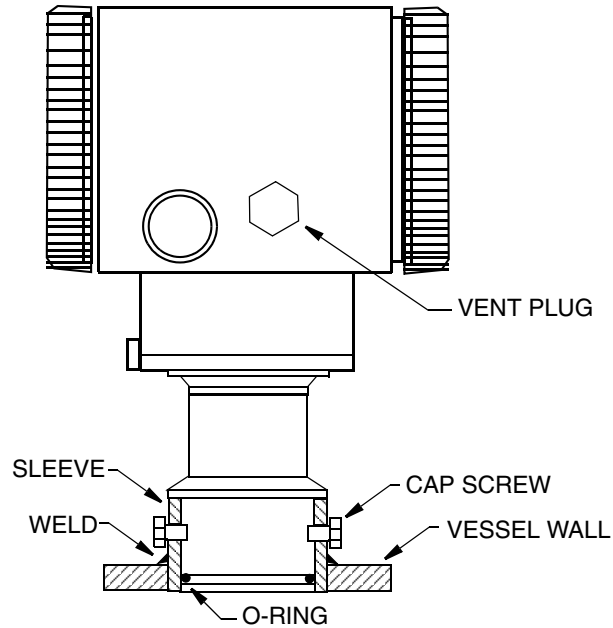
---

— **NOTE**

If the gasket is not properly seated, a process leak may occur.

---

6. Insert the transmitter sensor into the sleeve and hold it in place with cap screws.



NOTE: 1 1/2 INCH SIZE SHOWN

**Figure 8. Mounting of Transmitter with Sleeve Type Pulp and Paper Process Connection**

### Threaded Type Connector

1. Cut a hole into the process vessel to accept the weld spud. The spud should fit snugly and uniformly. The nominal diameter of the spud is:  
 For nominal 1 inch connector: 1.50 inch (38.1 mm)  
 For nominal 1 1/2 inch connector: 2.38 inch (60.3 mm)  
 For nominal 1 1/2 inch connector for Ametek spud: 1.99 inch (50.5 mm)  
 Position the connector into the hole so that it aligns as close as possible with the inside wall of the vessel
2. Tack weld using the welding sequence shown in Figure 7. Cool each section with water until the temperature is below 700°F (370°C) before proceeding to the next section.

---

#### — NOTE —

Foxboro recommends using a heat sink during this operation.

1 inch size: Part Number N1214YS

1 1/2 inch size: Part Number N1214YR

---

3. Weld the circumference of the connector using compatible stainless steel welding rod.

---

#### — NOTE —

The welder should meet the requirements of ANSI B31.3, ASME Section IX or other codes, if applicable.

---

4. After the connector has cooled, remove the heat sink.
5. Lubricate the gasket with appropriate lubricant and install it into the connector, ensuring that it is properly seated.

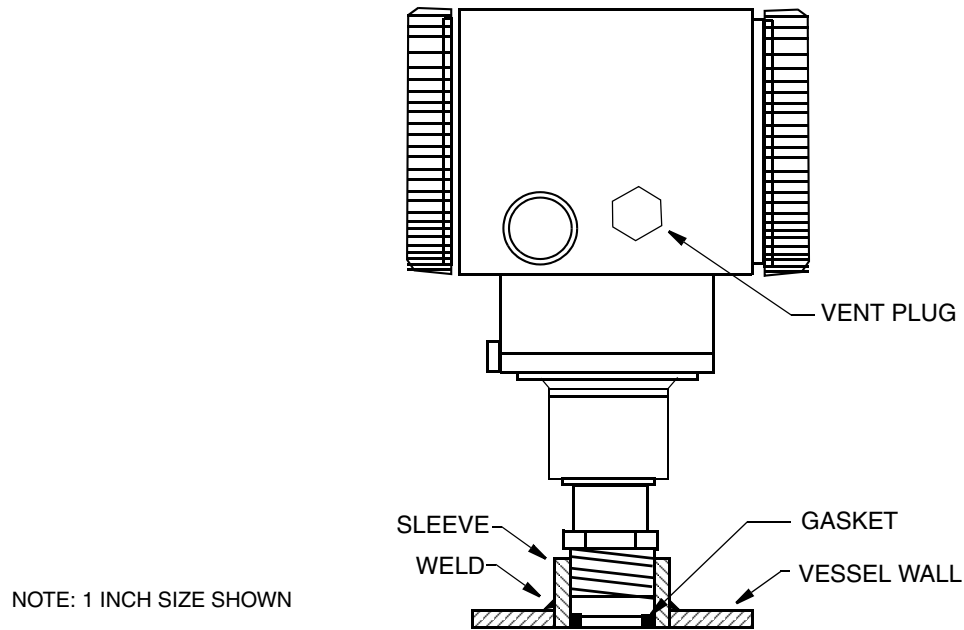
---

#### — NOTE —

If the gasket is not properly seated, a process leak may occur.

---

6. Thread the sensor into the connector hand tight. Then tighten approximately 1/8 turn more.



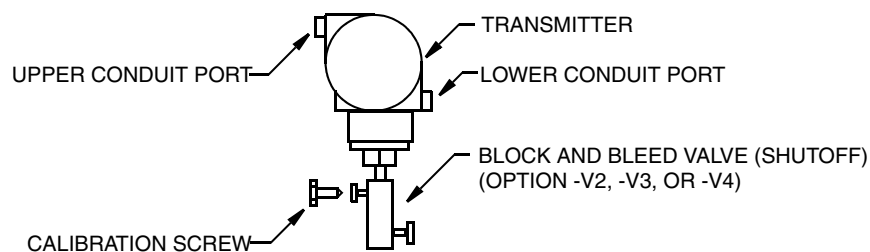
**Figure 9. Mounting of Transmitter with Threaded Type Pulp and Paper Process Connection**

## Typical Transmitter Piping

Figure 10 shows a typical piping application. Calibration supply pressure can be applied via a calibration screw. The lower conduit port can be used as a drain for moisture buildup in terminal compartment.

### NOTE

1. Foxboro recommends the use of snubbers in installations prone to high levels of fluid pulsations.
2. IAP10 and IGP10 Transmitters mounted directly to process piping or a pressure vessel, could require the use of a shutoff valve (shown) to comply with the requirements of ASME Power Piping Code B31.1 and Chemical and Petroleum Piping Code B31.3.



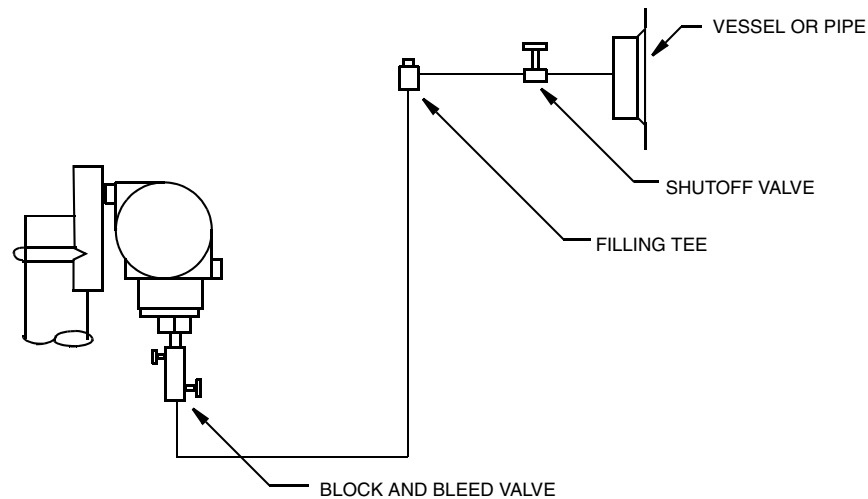
NOTE: Block and Bleed Valve Maximum Pressure  
 40 MPa (6000 psi at 38°C) (100°F)  
 25 MPa (4000 psi at 25°C) (400°F)  
 Calibration Screw Maximum Pressure  
 0.7 MPa (100 psi with Poly-Flo Fitting) (F0101ES)

**Figure 10. Typical Transmitter Piping**

For hot process applications above the operative limits of your transmitter [121°C (250°F) for silicone fill fluid or 82°C (180°F) for fluorinert fill fluid], such as steam, additional piping is required to protect the

transmitter from the hot process. See Figure 11. The piping is filled with water or process fluid. Mount the transmitter below the pressure connection at the pipe. Although the transmitter is shown mounted vertically, you can also mount it horizontally unless sediment is present. The calibration tee is not required if a calibration screw is used for field calibrations.

If trapped vapor pockets cannot be tolerated in a liquid service and a horizontal process connection is used, install a pipe elbow and vertically position the transmitter with the housing **below** the process connection.



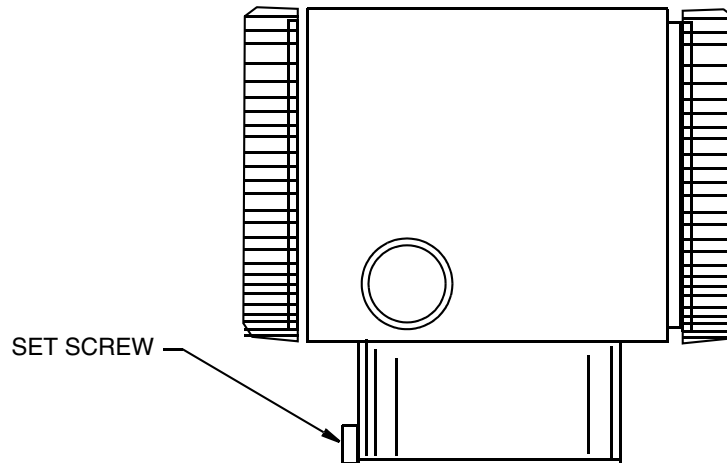
**Figure 11. Hot Process Piping**

## Positioning the Housing

The transmitter housing (topworks) can be rotated up to one full turn in the counterclockwise direction when viewed from above for optimum access to adjustments, display, or conduit connections.

### **WARNING**

If the electronics housing is removed for any reason, it must be hand tightened fully. Then engage the set screw until it bottoms out and back it off 1/8th turn. Fill the set screw recess with red lacquer (Foxboro Part number X0180GS or equivalent). The housing then may be rotated up to one full turn in a counterclockwise direction for optimum access to adjustments.



**Figure 12. Housing Set Screw Location**

## Positioning the Display

The display can be rotated within the housing to any of four positions at 90° increments. To do this, refer to Figure 13 and perform the following:

1. Turn off power source to the transmitter.
2. Screw in the cover lock (if present) and remove the electronics compartment cover by rotating it counterclockwise.
3. Remove the electronics module by unscrewing the two screws closest to the sides of the transmitter and pulling out the module.
4. If turning the display 180°, turn and return the module to the housing by reversing Step 3.
5. If turning the display 90° in either direction:
  - a. Remove the two (2) plastic buttons (plugs) by pushing them out from the backside of the module.

---

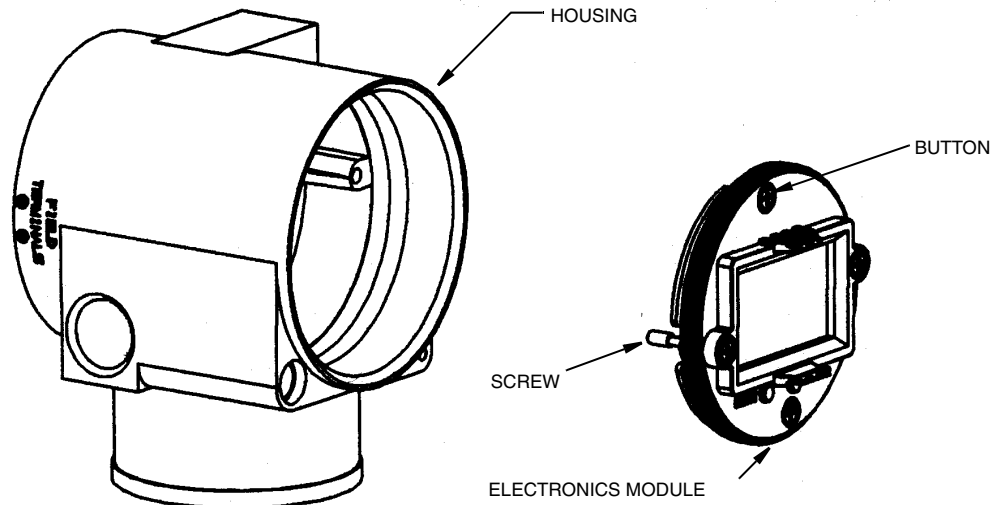
### — NOTE

Plastic buttons were not provided on some early versions of the electronics module.

---

- b. Unscrew the two (2) screws from the module and then rethread them back into the module at 90° from their original position.
  - c. Insert the two (2) plastic buttons into the two open screw holes in the module. (To order plastic buttons for earlier versions of the electronics modules or for replacement, see appropriate Parts List listed in “Reference Documents” on page 1).
  - d. Return the module to the housing by reversing Step 3.
6. Reinstall the cover onto the housing by rotating it clockwise to seat the O-ring into the housing and then continue to hand tighten until the cover contacts the housing metal-to-metal. If cover locks are present, align the serration in the cover with the lock and unscrew it until it extends into the cover serration to prevent unwanted cover rotation.
7. Restore power to transmitter.

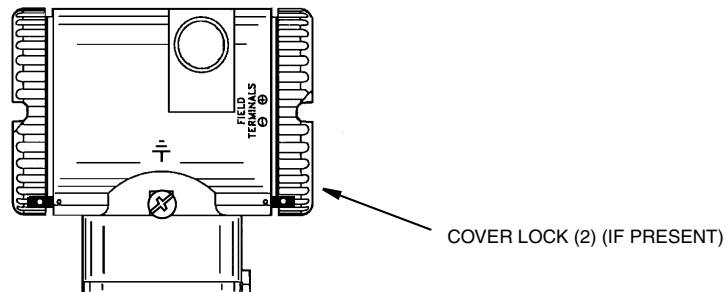




**Figure 13. Positioning Display**

## Cover Locks

Electronic housing cover locks, shown in Figure 14, are provided as standard with certain agency certifications and as part of the Custody Transfer Lock and Seal option. To lock the covers, unscrew the locking pin until approximately 6 mm (0.25 in) shows, lining up the hole in the pin with the hole in the housing. Insert the seal wire through the two holes, slide the seal onto the wire ends and crimp the seal.



**Figure 14. Cover Lock Location**

## Wiring

The installation and wiring of your transmitter must conform to local code requirements.

### ⚠ WARNING

ATEX requires that when the equipment is intended to be used in an explosive atmosphere caused by the presence of combustible dust, cable entry devices and blanking elements shall provide a degree of ingress protection of at least IP6X. They shall be suitable for the conditions of use and correctly installed.

### — NOTE

Foxboro recommends the use of transient/surge protection in installations prone to high levels of electrical transients and surges.

### Accessing Transmitter Field Terminals

For access to the field terminals, thread the cover lock (if present) into the housing to clear the threaded cover and remove the cover from the field terminals compartment as shown in Figure 15. Note that the embossed letters **FIELD TERMINALS** identify the proper compartment.

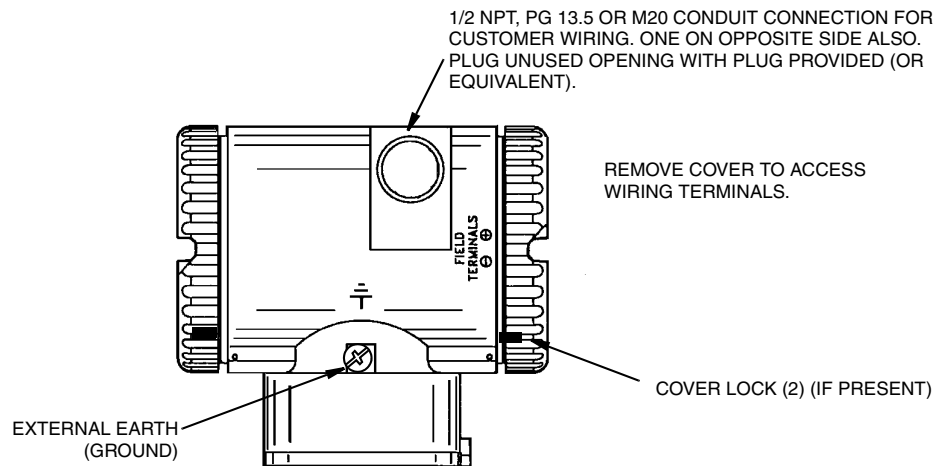


Figure 15. Accessing Field Terminals

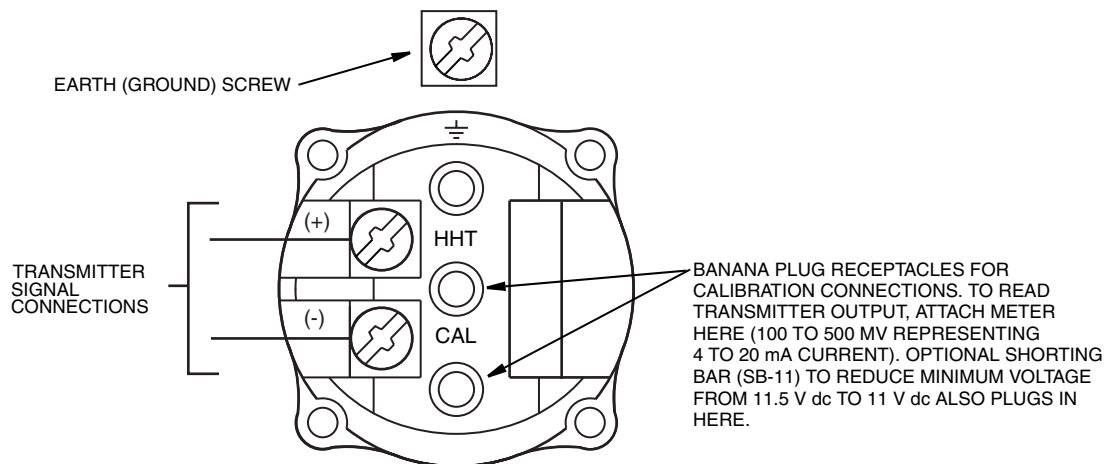


Figure 16. Identification of Field Terminals

### Wiring the Transmitter to a Control Loop

When wiring a transmitter with 4 to 20 mA output signal, the supply voltage and loop load must be within specified limits. The supply output load vs. voltage relationship is:

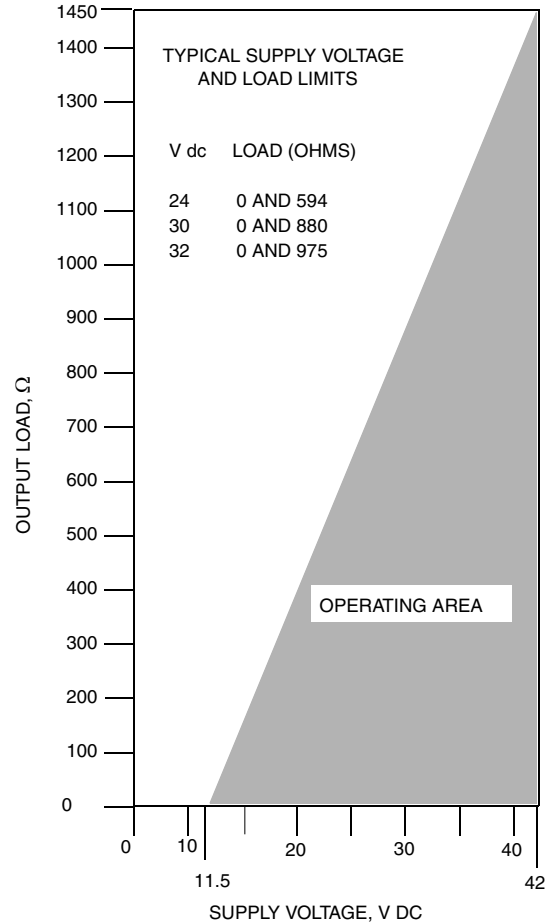
$$R_{\text{MAX}} = 47.5 (V - 11.5) \text{ and is shown in Figure 17.}$$

#### — NOTE

The relationship when the optional shorting bar is used is:

$$R_{\text{MAX}} = 46.8 (V - 11).$$

Any combination of supply voltage and loop load resistance in the shaded area can be used. To determine the loop load resistance (transmitter output load), add the series resistance of each component in the loop, excluding the transmitter. The power supply must be capable of supplying 22 mA of loop current.



**Figure 17. Supply Voltage and Loop Load**

**Examples:**

1. For a loop load resistance of 880  $\Omega$ , the supply voltage can be any value from 30 to 42 V dc.
2. For a supply voltage of 24 V dc, the loop load resistance can be any value from zero to 594  $\Omega$ .

To wire one or more transmitters to a power supply, proceed with the following steps.

1. Screw in cover lock (if present) and remove the field terminals compartment cover by rotating it counterclockwise.
2. Run signal wires (0.50 mm<sup>2</sup> or 20 AWG, typical) through one of the transmitter conduit connections. Use twisted single pair to protect the 4 to 20 mA output from electrical noise. Screened (shielded) cable may be required in some locations.

**NOTE**

Do not run transmitter wires in same conduit as mains (ac power) wires.

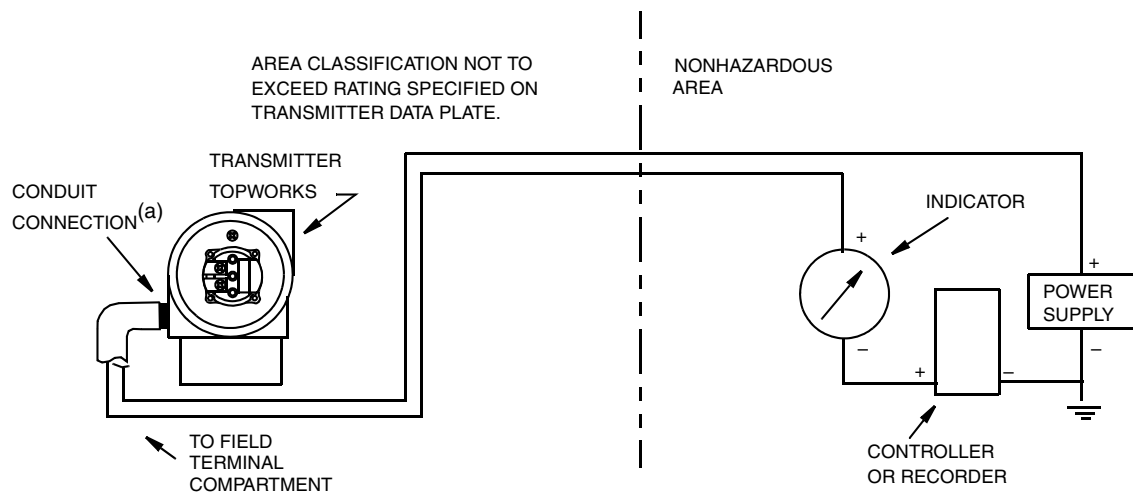
3. If shielded cable is used, earth (ground) the shield at the power supply **only**. Do not ground the shield at the transmitter. Cut and/or tape the shield so it cannot contact the metal housing.
4. Plug unused conduit connection with the 1/2 NPT, PG 13.5 or M20 metal plug provided (or equivalent). To maintain specified explosionproof and dust-ignitionproof protection, plug must engage a **minimum** of five full threads. Thread sealant is recommended.

5. Connect an earth (ground) wire to the earth terminal in accordance with local practice.

**⚠ CAUTION**

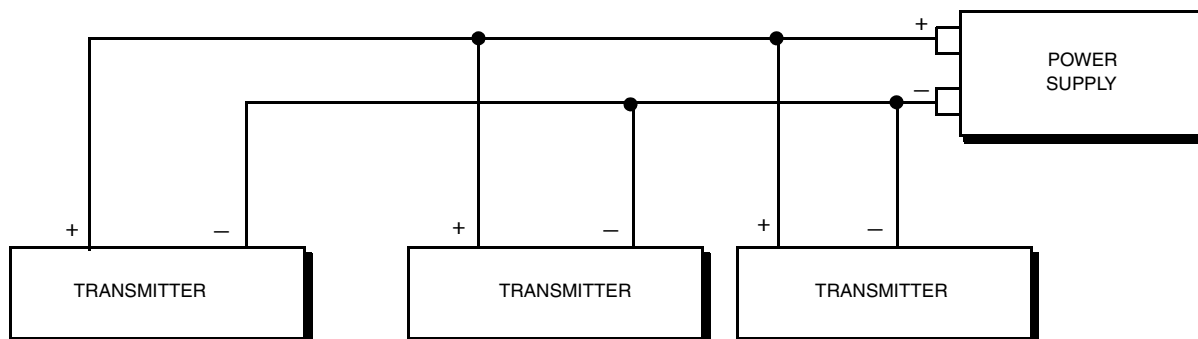
If the signal circuit must be earthed (grounded), it is preferable to do so at the negative terminal of the dc power supply. To avoid errors resulting from earth loops or the possibility of short-circuiting groups of instruments in a loop, there should be only one earth in a loop.

6. Connect the power supply and receiver loop wires to the “+” and “–” terminal connections.
7. Connect receivers (such as controllers, recorders, indicators) in series with a power supply and transmitter as shown in Figure 18.
8. Reinstall the cover onto the housing by rotating it clockwise to seat the O-ring into the housing and then continue to hand tighten until the cover contacts the housing metal-to-metal. If cover locks are present, lock the cover per the procedure described in “Cover Locks” on page 17.
9. If wiring additional transmitters to the same power supply, repeat Steps 1 through 8 for each additional transmitter. The setup with multiple transmitters connected to a single power supply is shown in Figure 19.



(a) RUN CONDUIT DOWN TO AVOID MOISTURE BUILDUP IN TERMINALS COMPARTMENT.

**Figure 18. Loop Wiring**

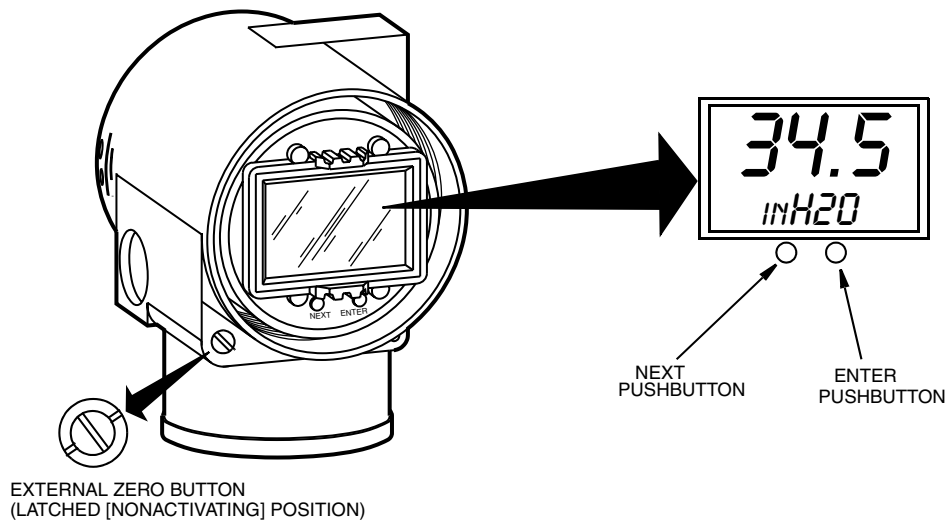


**Figure 19. Wiring Several Transmitters to a Common Power Supply**

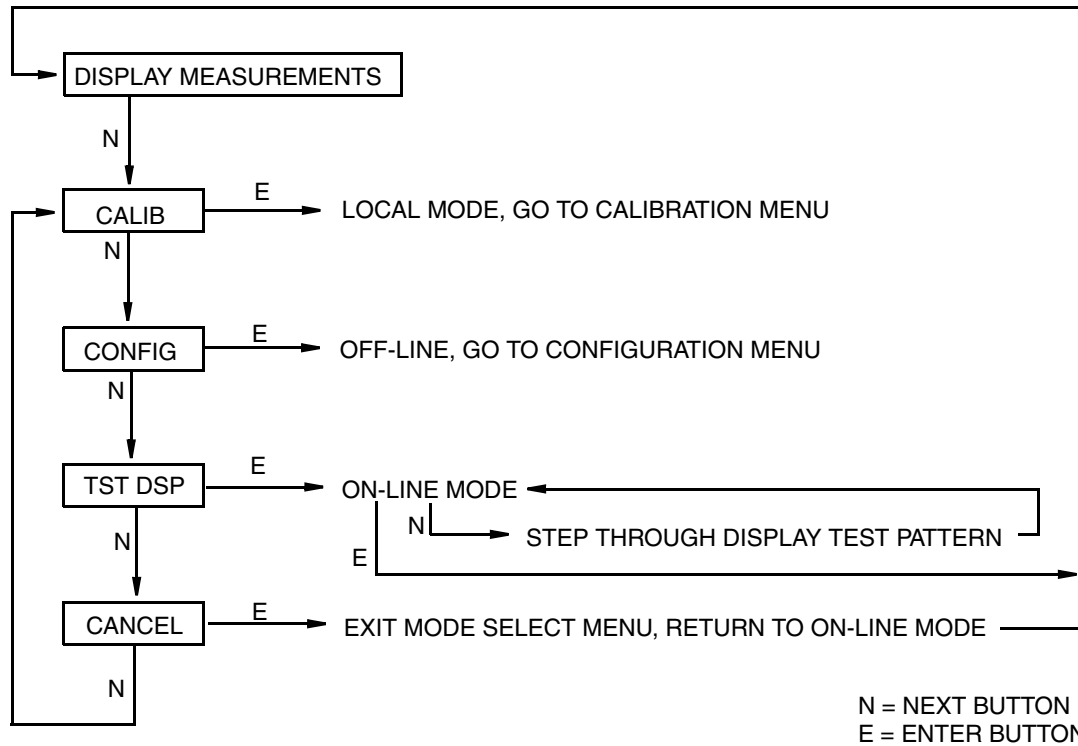
### 3. Operation

A local display, as shown in Figure 20, has two lines of information. The upper line is a 5-digit numeric display (4-digit when a minus sign is used); the lower line is a 7-digit alphanumeric display. The display provides local indication of measurement information and a means for performing calibration and configuration, viewing the database, and testing the display via a 2-button (**Next** and **Enter**) keypad. You can access these operations by means of a multi-level menu system. Entry to the Mode Select menu is made (from normal operating mode) by pressing the **Next** button. You can exit this menu, restore your prior calibration or configuration, and return to the normal operating mode at any time by going to **Cancel** and pressing the **Enter** button.

The following items can be selected from this menu: Calibration (**CALIB**); Configuration (**CONFIG**); and Testing the display (**TST DSP**). The top level structure diagram is shown in Figure 21.



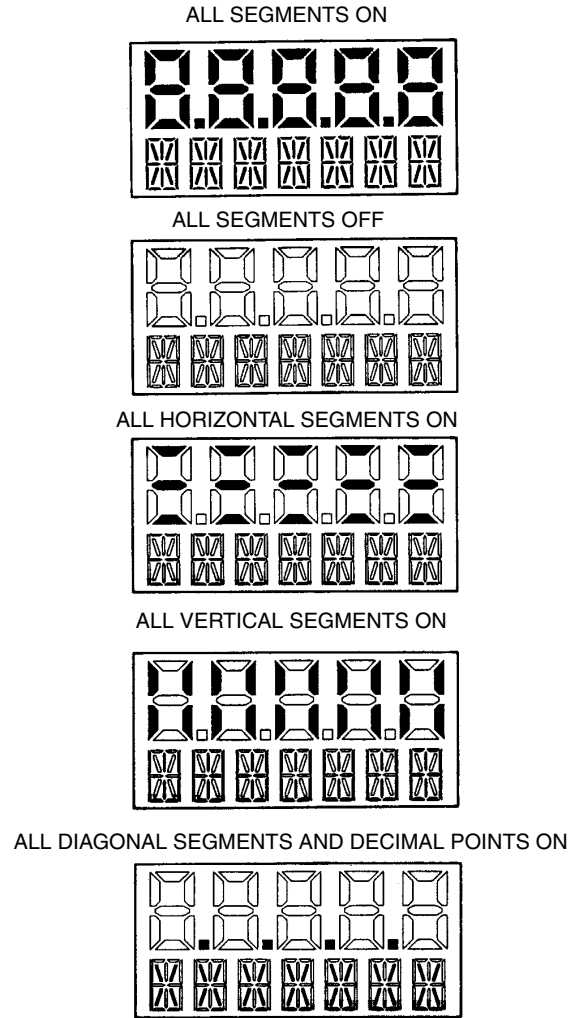
**Figure 20. Local Display Module**



*Figure 21. Top Level Structure Diagram*

## Testing the Display

You can access the Test Display mode by the same multi-level menu system that was used to enter Calibration and Configuration mode. Entry to the Mode Select menu is made (from normal operating mode) by pressing the **Next** button. The display reads **CALIB**, the first item on the menu. Press the **Next** button two times to get to the third item on the menu, **TST DSP**. Acknowledge your choice of this selection by pressing the **Enter** button. The display shows the first test segment pattern. You can step through the five patterns by repeated use of the **Next** button. You can abort the test at any time by pressing the **Enter** button. The five patterns are shown in Figure 22.



**Figure 22. Display Test Segment Patterns**

## Error Messages

*Table 3. Error Messages*

Message	Interpretation
OVR RNG	Normalized calculation result greater than 2% above calibrated span. a. Overrange input; correct input condition. b. Bad span calibration; recalibrate span. c. Bad sensor connection; check electronics module to sensor connection. d. Defective or damaged sensor; replace sensor.
UND RNG	Normalized calculation result greater than 2% below calibrated zero. a. Underrange input; correct input condition. b. Bad zero calibration; recalibrate zero. c. Bad sensor connection; check electronics module to sensor connection. d. Defective or damaged sensor; replace sensor.
FDB ERR	CRC error detected in Factory Database on startup. a. Incorrect user database; replace sensor. b. Bad sensor connection; check electronics module to sensor. c. Defective or damaged sensor; replace sensor.
UDB ERR	CRC error detected in User Database on startup. a. Incorrect user database; reconfigure/recalibrate transmitter. b. Bad sensor connection; check electronics module to sensor. c. Defective or damaged sensor; replace sensor.
BAD IN1	Normalized raw pressure input outside of limits. a. Extreme overrange or underrange input; correct input condition. b. Bad calibration; recalibrate transmitter. c. Bad sensor connection; check electronics module to sensor. d. Defective or damaged sensor; replace sensor.
BAD IN3	Normalized raw temperature input outside of limits. a. Bad sensor connection; check electronics module to sensor. b. Defective or damaged sensor; replace sensor.
BAD KEY	Invalid keypress detected. a. Pressing <b>Enter</b> when transmitter is on-line. b. Pressing <b>Next</b> or <b>Enter</b> while <b>WAIT</b> is displayed; try again after <b>WAIT</b> message has cleared.



## 4. Calibration

---

### — NOTE

1. For best results in applications where high accuracy is required, rezero the transmitter output once it has stabilized at the final operating temperature.
  2. Zero shifts resulting from position effects and/or static pressure effects can be eliminated by rezeroing the transmitter output.
  3. After calibrating transmitters operating with a 4 to 20 mA (or 1 to 5 V dc) output signal, check the underrange and overrange output values to ensure that they extend beyond 4 and 20 mA (or 1 and 5 V dc) respectively.
- 

### General Calibration Notes

1. Each transmitter is factory characterized over its full rated pressure range. One benefit of this process is that every transmitter can measure any applied pressure within its range limits regardless of the calibrated range. The applied pressure is measured and converted into an internal digital value of pressure. This digital value of pressure is always available whether the transmitter is calibrated or not. Calibration assures that the transmitter rated accuracy is achieved over the calibrated range.
2. The internal digital value of pressure can be displayed on the local display, and converted to a 4 to 20 mA analog output signal.
3. Each transmitter is factory calibrated to either a specified or a default calibrated range. This calibration optimizes the accuracy of the internal digital value of pressure over that range. If no range is specified, the default range is zero to the sensor upper range limit (URL).
4. There is an independent trim on the digital-to-analog conversion stage. This trim allows for slight adjustment of the 4 and 20 mA outputs. This compensates for any slight difference that exists between the transmitter mA output and an external reference device which is measuring the current.
  - ◆ The mA trim does not affect the calibration or the reranging of the transmitter and does not affect the internal digital value of pressure or the transmission or display of measured pressure.
  - ◆ The mA trim can be done with or without pressure applied to the transmitter.
5. The transmitter database has configurable values for both lower range value (LRV) and upper range value (URV). These stored values are used for two functions: defining the calibrated range and reranging without pressure.
  - a. Defining the Calibrated Range:
    - ◆ When either **CAL LRV** or **CAL URV** is initiated from the pushbuttons, the transmitter expects that the pressure applied at the time the button is pressed is equal to the LRV or URV value respectively.
    - ◆ This function trims the internal digital value of pressure; that is, it performs a calibration based on the application of accurate pressures equal to the values entered for LRV and URV in the transmitter database.
    - ◆ This function also sets the 4 and 20 mA output points; that is, the 4 and 20 mA points correspond to the values of LRV and URV in the database.
    - ◆ If the transmitter is configured for reverse range, the 20 and 4 mA points correspond to the LRV and URV respectively.
  - b. Reranging Without the Application of Pressure:
    - ◆ Since the transmitter continually determines an internal digital value of the measured pressure from the lower range limit (LRL) to the upper range limit (URL), the 4 and 20

mA output points can be assigned to any pressure values (within the span and range limits) without application of pressure.

- ◆ The reranging function is accomplished by entering new database values for LRV and URV.
- ◆ Reranging does not affect the calibration of the transmitter; that is, it does not affect the optimization of the internal digital value of pressure over a specific calibrated range.
- ◆ If the reranged LRV and URV are not within the calibrated range, the measured values may not be as accurate as when they are within the calibrated range.

#### 6. LCD Indicator

- ◆ The display can show any measured pressure in selected units regardless of the calibrated range and the values of LRV and URV (within the limits of the transmitter and display). The display can also be 0 to 100 percent.
- ◆ If the measured pressure is outside the range established by the LRV and URV values in the database, the display shows the measurement but also continually blinks to indicate that the measurement is out of range. The current signal is saturated at either the low or high overrange limit respectively but the display continually shows the pressure.

#### 7. Zeroing the Transmitter

- ◆ Zeroing does not affect the span.
- ◆ When the transmitter is zeroed to compensate for installed position effect, the transmitter may have either LRV pressure applied (**CAL LRV**) or zero pressure applied (**CAL AT0**). If the range is zero-based, either method produces the same result. However, if the range is not zero-based, it is advantageous to have both methods available.

For example, consider a pressure transmitter having a range of 50 to 100 psig. If it is not feasible to vent the transmitter to atmosphere for zeroing, it may be zeroed while the LRV pressure of 50 psi is applied by using the **CAL LRV** function. On the other hand, if the transmitter has been installed but there is no pressure in the process line yet, it can be zeroed while open to atmosphere by using the **CAL AT0** function.

##### a. Zeroing with LRV Pressure Applied (**CAL LRV**):

- ◆ Before using this zeroing function, apply a pressure to the transmitter equal to the value of LRV stored in the transmitter database.
- ◆ When you zero the transmitter, the internal digital value of the pressure is trimmed to be equal to the value of LRV stored in the database and the mA output set to 4 mA.
- ◆ If zeroing is done when the applied pressure is different from the LRV pressure value in the database, the internal digital value of pressure is biased by the difference in the values but the output is still set at 4 mA.
- ◆ The **CAL LRV** (and **CAL URV**) function should be used when calibrating a transmitter for a specific range with known input pressures applied for the LRV and URV.

##### b. Zeroing a Gauge Pressure Transmitter with Zero Pressure Applied (**CAL AT0**):

---

#### — NOTE —

Do **not** use the **CAL AT0** function with an absolute pressure transmitter. If an absolute pressure transmitter is vented to atmosphere, it does **not** have zero pressure applied but instead has the barometric pressure (approximately 14.7 psia) applied.

---

- ◆ Make sure that the applied pressure is at zero. This means venting the transmitter to atmosphere.

- ◆ When you zero the transmitter, the internal digital value of the pressure is trimmed to be equal to zero and the mA output set to an appropriate value such that the mA output is a normal 4 mA when the LRV pressure is applied later.
- c. Zeroing an Absolute Pressure Transmitter
- To zero an absolute pressure transmitter, the LRV can be temporarily set to the barometric pressure and a CAL LRV function performed with the transmitter vented to atmosphere. Then, the LRV can be set back to the proper value.

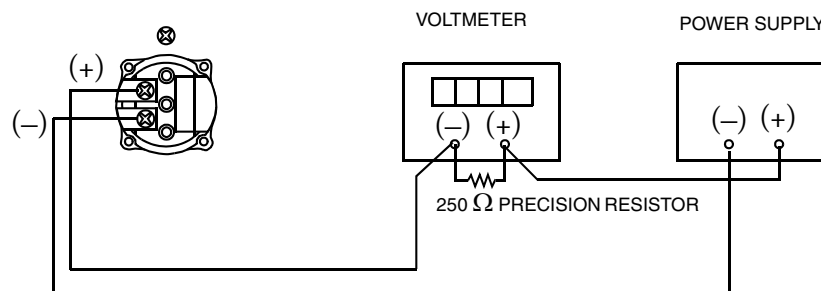
## Calibration Setup

The following sections show setups for field or bench calibration. Use test equipment that is at least three times as accurate as the desired accuracy of the transmitter.

### — NOTE —

It is not necessary to set up calibration equipment to rerange the transmitter to a different range. The transmitter can be accurately reranged by simply changing the lower range value and the upper range value, which are stored in the transmitter database.

### Setup of Electronic Equipment

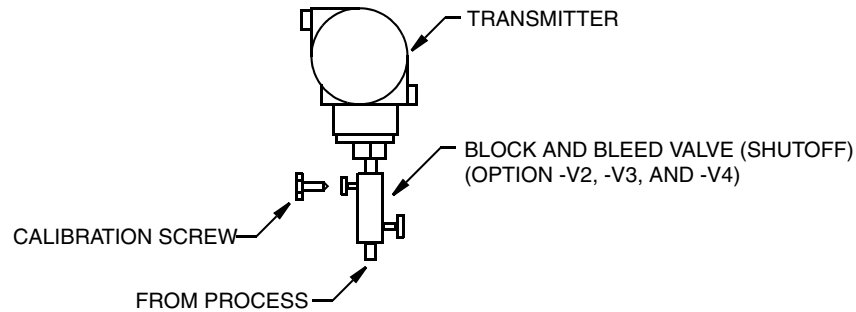


Resistor: 250 Ω, ±0.01%, 1 W minimum (Part No. E0309GY)  
 Power Supply: Refer to Figure 17  
 Digital Voltmeter: readings from 1.000 to 5.000 V dc

**Figure 23. 4 to 20 mA Output Calibration Setup of Electronic Equipment**

### Field Calibration Setup

Field calibration is performed without disconnecting the process piping. This is only possible if the transmitter is piped as shown in Figure 24.



NOTE: Block and Bleed Valve Maximum Pressure  
 40 MPa (6000 psi at 38°C (100°F))  
 25 MPa (4000 psi at 250°C (400°F))  
 Calibration Screw Maximum Pressure  
 0.7 MPa (100 psi with Poly-Flo Fitting (F0101ES))

**Figure 24. Transmitter Piping**

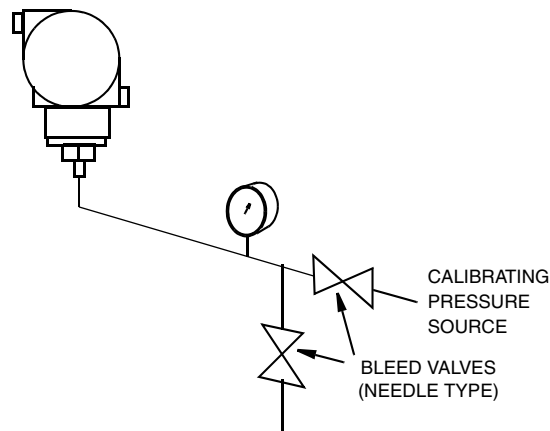
If the transmitter is to be removed from the process for calibration, refer to the "Bench Calibration" procedure.

An adjustable air supply and a pressure measuring device are required. For example, a dead weight tester or an adjustable clean air supply and pressure gauge can be used.

### **Bench Calibration Setup**

The bench calibration setup requires disconnecting the process piping. For calibration setup without disconnecting the process piping, refer to the "Field Calibration" procedure.

The input setup is shown in Figure 25. If calibrating the output signal, also connect equipment as shown in "Setup of Electronic Equipment" on page 27.



**Figure 25. Bench Calibration Setup**

## **Calibration Using the Local Display**

To access the Calibration mode (from normal operating mode), press the **Next** button. The display reads **CALIB**, the first item on the menu. Acknowledge your choice of this selection by pressing the **Enter** button. The display shows the first item in the Calibration menu.

**NOTE**

During calibration, a single change could affect several parameters. For this reason, if an entry is entered in error, re-examine the entire database or use the **Cancel** feature to restore the transmitter to its starting configuration and begin again.

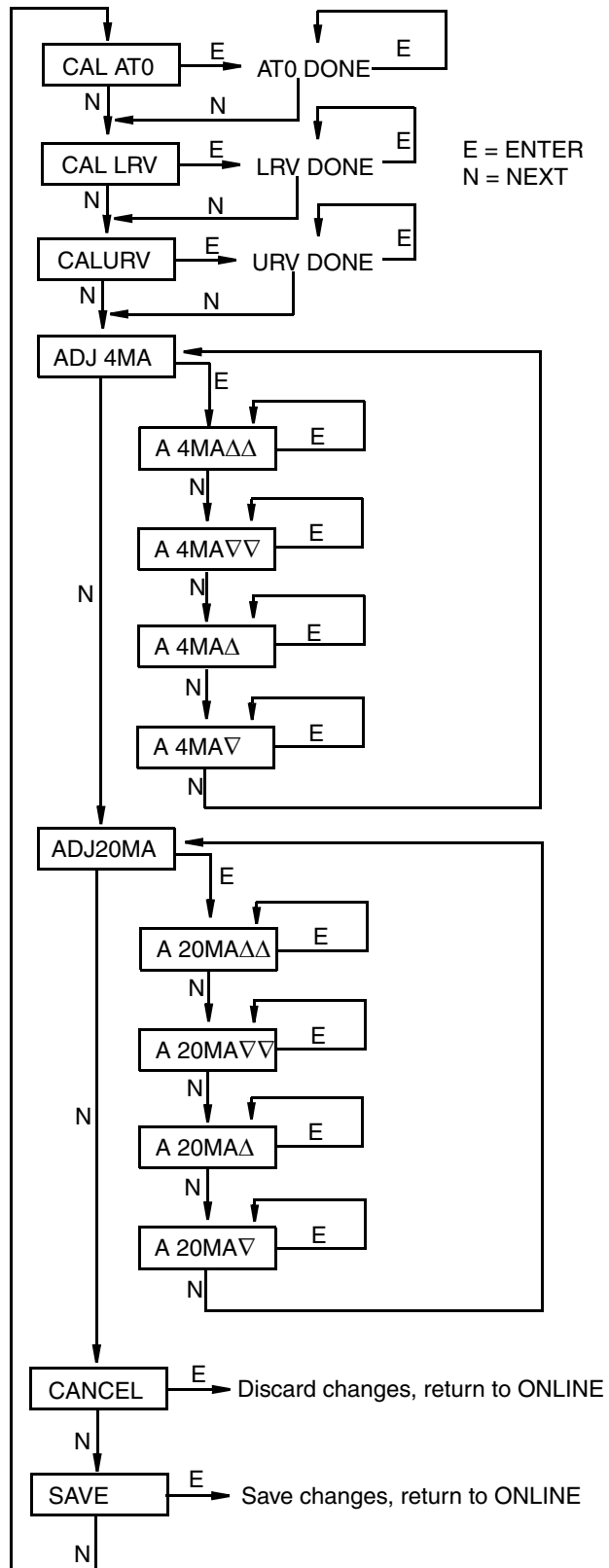
**Table 4. Calibration Menu**

Item	Description
CAL AT0	Calibrate with zero pressure.
CAL LRV	Calibrate with pressure at 0% of transmitter range (LRV).
CAL URV	Calibrate with pressure at 100% of transmitter range (URV).
ADJ 4MA	Adjust nominal 4 mA output.
ADJ20MA	Adjust nominal 20 mA output
ADJ 4MA causes the following four submenus.	
A 4mA△△	Increase 4 mA output by large step.
A 4mA▽▽	Decrease 4 mA output by large step.
A 4mA△	Increase 4 mA output by small step.
A 4mA▽	Decrease 4 mA output by small step.
ADJ 20MA causes the following four submenus.	
A 20mA△△	Increase 20 mA output by large step.
A 20mA▽▽	Decrease 20 mA output by large step.
A 20mA△	Increase 20 mA output by small step.
A 20mA▽	Decrease 20 mA output by small step.

**NOTE**

1. It is not necessary to use the **ADJ4MA** or **ADJ20MA** menu selections unless there is a plant requirement to make the 4 and 20 mA output values exactly match readings on certain plant calibration equipment and the “zero” and “span” operations done result in a small but unacceptable difference between the transmitter mA output and the test equipment mA readout values.
2. The transmitter can be reranged without the application of pressure.

Proceed to calibrate your transmitter by using the **Next** key to select your item and the **Enter** key to specify your selection per Figure 26. At any point in the calibration you may **Cancel**, restore your prior calibration and return to the on-line mode or **Save** your new calibration.



**CAL AT0:** To set or reset the zero point at zero pressure, apply zero pressure to the transmitter and, at display of **CAL AT0**, press **Enter**. This can be done whether LRV is zero or not. Completion is indicated by the display **AT0 Done**.

**CAL LRV:** To set or reset 0% of range input, apply pressure to the transmitter equal to the lower range value (LRV) in the transmitter database and, at display of **CAL LRV**, press **Enter**. Completion is indicated by the display **LRV Done**.

**CAL URV:** To set or reset 100% of range input, apply pressure to the transmitter equal to the upper range value (URV) in the transmitter database and, at display of **CAL URV**, press **Enter**. Completion is indicated by the display **URV Done**.

**ADJ4mA:** If you configured your transmitter operating mode as 4 to 20 mA, you can adjust the 4 mA output by going to **ADJ4mA** using the **Next** button and press **Enter**. This menu item is bypassed if you configured your transmitter operating mode as digital.

To increase the 4 mA output by a large (0.025 mA) step, press **Enter** at the display **A 4mA△△**. To decrease it by a large step, go to the display **A 4mA▽▽** by pressing the **Next** button and then **Enter**. To increase it by a small (0.001 mA) step, go to the display **A 4mA△** with the **Next** button and then press **Enter**. To decrease it by a small step, go to the display **A 4mA▽** with the **Next** button and then press **Enter**.

**ADJ20mA:** Similar to **ADJ4mA**.

Figure 26. Calibration Structure Diagram

## Zero Adjustment Using External Zero Button

An optional external zero adjustment mechanism in the electronics housing allows local “rezeroing” of the transmitter output without removing the electronics compartment cover. The mechanism is magnetically activated through the housing wall to prevent moisture from entering the enclosure. Zeroing is accomplished when the external zero button is depressed. The external zero button does a **CAL ATO** calibration (at zero pressure).

To use this feature:

1. Unlatch the external zero button by turning it 90° in a counterclockwise direction so that the screwdriver slot lines up with the two holes in the face of the adjacent part. Do **not** push the button in with the screwdriver while doing this.
2. Press the button with zero pressure applied to the transmitter.
3. The display indicates **ZEROED**. If **EX ZERO** is disabled, or the transmitter is not on-line, the display reads **Bad Key**.
4. If additional rezeroing is required, wait 20 seconds and repeat Step 2.
5. Relatch the external zero button by turning it 90° in a clockwise direction to prevent accidental pressing of the button. Do **not** push the button in with the screwdriver while doing this.

## Error Messages

*Table 5. Error Messages*

Message	Interpretation
BAD KEY	Pressing <b>External Zero</b> button with <b>EX ZERO</b> disabled or transmitter not on-line.
LOLIMIT	4 mA or 20 mA calibration adjustment has reached lower limit. a. Improper calibration setup; correct setup. b. Bad D/A converter; replace electronics module.
HILIMIT	4 mA or 20 mA calibration adjustment has reached upper limit. a. Improper calibration setup; correct setup. b. Bad D/A converter; replace electronics module.
BADZERO	Recalculation of offset during <b>CAL ATO</b> , <b>CAL LRV</b> , or <b>EX ZERO</b> resulted in out of range value. a. Applied pressure too high during operation. b. Improper calibration setup.
BADSPAN	Recalculation of slope during <b>CAL URV</b> operation resulted in out of range value. a. Applied pressure too low during <b>CAL URV</b> operation. b. Improper calibration setup.





## 5. Configuration

You can access the Configuration mode by the same multi-level menu system that was used to enter Calibration mode. Entry to the Mode Select menu is made (from normal operating mode) by pressing the **Next** button. The display reads **CALIB**, the first item on the menu. Press the **Next** button again to get to the second item on the menu, **CONFIG**. Acknowledge your choice of this selection by pressing the **Enter** button. The display shows the first item in the Configuration menu. You can then configure items shown in Table 6. The initial factory configuration is also given in this table.

---

— **NOTE** —

During configuration, a single change may affect several parameters. For this reason, if an entry is entered in error, re-examine the entire database or use the **Cancel** feature to restore the transmitter to its starting configuration and begin again.

---

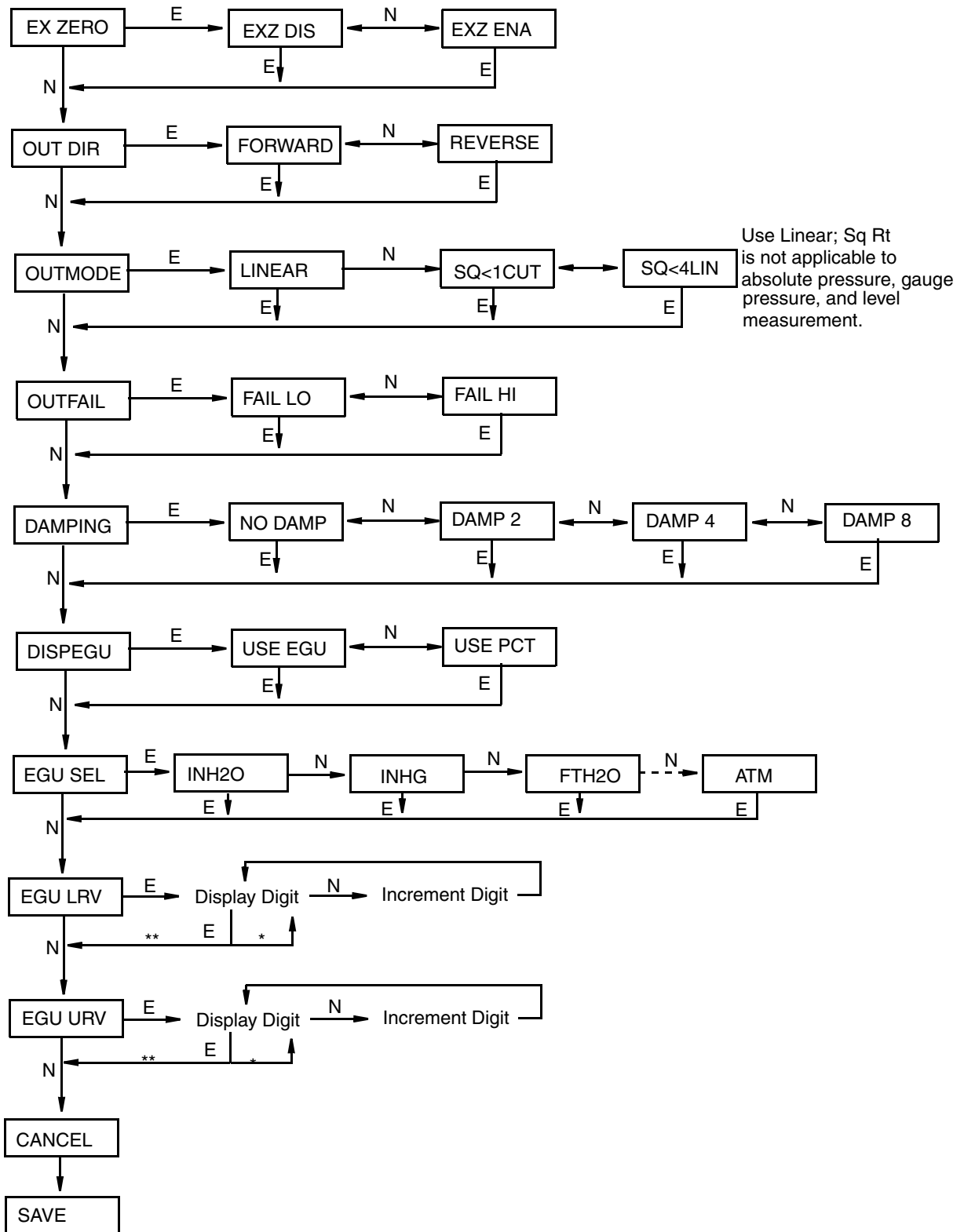
**Table 6. Configuration Menu**

Item	Description	Initial Factory Configuration <sup>(a)</sup>
EX ZERO	External zero: enable or disable	Disable
OUT DIR	Output direction: forward or reverse	Forward
OUTMODE	Output: linear <sup>(b)</sup>	Linear
OUTFAIL	Fail mode output: low or high	High
DAMPING	Damping: none, 2-, 4-, or 8-seconds	None
DISPEGU	Display measurement in EGU or in percent of span	Use EGU
EGU SEL	Engineering units for calibrated range and display: select from list.	Per Sales Order
EGU LRV	Set Lower Range Value (LRV)	Per Sales Order
EGU URV	Set Upper Range Value (URV)	Per Sales Order

(a) Default settings. If optional feature “-C2” is specified, the initial factory configuration is custom per order.

(b) Square root is not applicable to absolute pressure, gauge pressure, or level measurement.

Proceed to configure your transmitter by using the **Next** key to select your item and the **Enter** key to specify your selection per Figure 27. At any point in the configuration you may **Cancel** your changes and return to the on-line mode or **Save** your changes.



\*If character is not the last position on the display line, advances to next character.  
 \*\*If character is the last position on the display line, advances to next menu item.

Figure 27. Configuration Structure Diagram

## Commentary on Configuration Structure Diagram

In general, use the **Next** button to select an item and the **Enter** button to specify a selection.

### EX ZERO:

The External Zero feature allows the optional external zero pushbutton to be disabled for additional security. To configure this feature, go to **EX ZERO** with the **Next** button and press **Enter**. Use the **Next** button to select **EXZ DIS** or **EXZ ENA** and press **Enter**.

### OUT DIR:

To configure the Output Direction, go to **OUT DIR** with the **Next** button and press **Enter**. Use the **Next** button to select **FORWARD** (4 to 20 mA) or **REVERSE** (20 to 4 mA) and press **Enter**.

### OUTMODE:

To configure the mode of the output, go to **OUTMODE** with the **Next** button and press **Enter**. Use the **Next** button to select **LINEAR** and press **Enter**. **SQ<1CUT** (square root with cutoff below 1% of calibrated pressure range) or **SQ<4LIN** (square root with dual slope linear below 4% of calibrated pressure range) is not applicable to absolute pressure, gauge pressure, and flange level measurement.

### OUTFAIL:

The Outfail feature provides high or low output with certain malfunctions. To configure the fail mode output, go to **OUTFAIL** with the **Next** button and press **Enter**. Use the **Next** button to select **FAIL LO** or **FAIL HI** and press **Enter**.

### DAMPING:

To configure additional damping, go to **DAMPING** with the **Next** button and press **Enter**. Use the **Next** button to select **NO DAMP**, **DAMP 2**, **DAMP 4**, or **DAMP 8** and press **Enter**.

### DISPEGU:

To configure the display to present the measurement in engineering units or percent of span, go to **DISPEGU** with the **Next** button and press **Enter**. Then use the **Next** button to select **Use EGU** or **Use Pct** and press **Enter**.

### EGU SEL:

To configure engineering units for your calibrated range and display, go to **EGU SEL** with the **Next** button and press **Enter**. Because **OUTMODE** was configured as **LINEAR**, use the **Next** button to select one of the following units: **INH<sub>2</sub>O**, **INHG**, **FTH<sub>2</sub>O**, **MMH<sub>2</sub>O**, **MMHG**, **PSI**, **BAR**, **MBAR**, **G/CM<sup>2</sup>**, **KG/CM<sup>2</sup>**, **PA**, **KPA**, **MPA**, **TORR**, or **ATM** and press **Enter**.

### EGU LRV:

To configure the LRV, press **Enter** at the prompt **EGU LRV**. Use the **Next** button to toggle between a space or a minus and press **Enter**. Then use the **Next** button to step through the library of numerical characters to select the desired first digit, and press **Enter**. Your selection is entered and the second digit flashes. Repeat this procedure until you have entered your last digit. Then use the **Next** button to move the decimal point to its desired location and press **Enter**.

### EGU URV:

Similar to **EGU LRV** immediately above.

## Reranging the Transmitter

The transmitter can be reranged without application of pressure. Because measurement of absolute or gauge pressure is done in Linear mode, the procedure is simple; just reconfigure **EGU LRV** and **EGU URV**.

## Character Lists

**Table 7. Alphanumeric Character List**

Characters
space
*
+
-
/
0 through 9
<
>
A through Z (uppercase)
[
\
]
Δ
- (underscore)
∇

**Table 8. Numeric Character List**

Characters
-
0 through 9

## Error Messages

**Table 9. Error Messages**

Message	Interpretation
BAD LRV	Entered value for <b>EGU LRV</b> is outside sensor limits.
BAD URV	Entered value for <b>EGU URV</b> is outside sensor limits.
BAD RNG	Recalculation of turndown during <b>EGU LRV</b> or <b>EGU URV</b> resulted in out of range value. Entered values for <b>EGU LRV</b> and/or <b>EGU URV</b> were either too close together or too far apart.
RNG>EGU	Recalculation of display value for <b>EGU LRV</b> or <b>EGU URV</b> resulted in out of range value. Selection of (linear) EGU units caused display to overflow.
LRVNOT0	Attempting mode change from <b>LINEAR</b> to <b>SQ&lt;1CUT</b> or <b>SQ&lt;4LIN</b> when <b>EGU LRV</b> is not 0.0.

## 6. Maintenance

---

 **DANGER**

For nonintrinsically safe installations, to prevent a potential explosion in a Division 1 hazardous area, de-energize transmitters before you remove threaded housing covers. Failure to comply with this warning could result in an explosion resulting in severe injury or death.

---

### Parts Replacement

Parts replacement is generally limited to the electronics module assembly, housing assembly, sensor assembly, terminal block assembly, cover O-rings, and optional display. For part numbers relating to the transmitter and its options, see the following parts lists:

IAP10 Absolute and IGP10 Gauge Pressure Transmitters: PL 009-006

IGP10 High Gauge Pressure: PL 009-010

#### **Replacing the Terminal Block Assembly**

1. Turn off transmitter power source.
2. Remove the Field Terminals and the Electronics compartment covers by rotating them counterclockwise. Screw in cover lock if applicable.
3. Remove the digital display (if applicable) as follows: grasp the two tabs on the display and rotate it about 10° in a counterclockwise direction.
4. Remove the electronics module from the housing by loosening the two captive screws that secure it to the housing. Then pull the module out of the housing far enough to gain access to the cable connectors on the rear of the module.
5. Remove the four socket head screws securing the terminal block.
6. Disconnect the terminal block cable connector from the electronics module.
7. Remove the terminal block and the gasket under it.
8. Connect the new terminal block cable connector to the electronics module.
9. Install the new terminal block and new gasket and reinstall the four screws to 0.67 N·m (6 in·lb) in several even increments.
10. Reinstall the electronics module (and digital display if applicable).
11. Reinstall the covers onto the housing by rotating them clockwise to seat the O-ring into the housing and then continue to hand tighten until the each cover contacts the housing metal-to-metal. If cover locks are present, lock the cover per the procedure described in “Cover Locks” on page 17.
12. Turn on transmitter power source.

#### **Replacing the Electronics Module**

To replace the electronics module assembly, proceed as follows:

1. Turn off transmitter power source.
2. Screw in cover lock (if present) and remove the threaded electronics compartment cover by rotating it counterclockwise.
3. Remove the electronics module from the housing by loosening the two captive screws that secure it to the housing. These screws are located towards the sides of the housing. Then pull the module out of the housing.

---

**! CAUTION**

The electronics module is “one assembly” at this point and is electrically and mechanically connected to topworks with a flexible ribbon signal cable, a 2-wire power cable, and in some cases, a cable for an optional external zero pushbutton. Do **not** exceed the slack available in these cables when removing the assembled module.

---

4. Unplug all cable connectors from the rear of the electronics module, noting the location of each cable, and place the module on a clean surface.
5. Predetermine connector orientation, then insert the cable connectors into the replacement module. Replace the module in the housing and tighten the two screws that secure it to the housing.

---

**NOTE**

To rotate display, see “Positioning the Display” in the Installation section.

---

6. Reinstall the cover onto the housing by rotating it clockwise to seat the O-ring into the housing and then continue to hand tighten until the cover contacts the housing metal-to-metal. If cover locks are present, lock the cover per the procedure described in “Cover Locks” on page 17.
7. Turn on transmitter power source.

The module replacement procedure is now complete.

---

**NOTE**

The transmitter configuration is stored in the sensor assembly. Therefore, the configuration settings are retained when replacing the electronics module. Recalibration, however, is recommended.

---

### ***Removing and Reinstalling the Housing Assembly***

To remove and reinstall the housing assembly, proceed as follows:

1. Remove the electronics module per Steps 1 through 4 in the previous procedure.
2. Remove the housing by rotating it counterclockwise (when viewed from the top) using caution to avoid damaging the ribbon cables.
3. Reinstall the housing by reversing Step 2.
4. Reinstall the electronics module per Steps 5 through 7 in the previous procedure.

### ***Replacing the Sensor Assembly***

To replace the sensor assembly, proceed as follows:

1. Remove the electronics module as described above.
2. Remove the housing as described above. Sensor is left.
3. Install housing on new sensor.
4. Reinstall electronics module.

# **Index**

## **B**

Bench Calibration Setup 28

## **C**

Calibration 25  
Calibration Notes 25  
Calibration Setup 27  
Configuration 33  
Cover Locks 17

## **D**

Display, Positioning the 16

## **E**

Error Messages 24  
    Calibration 31  
    Configuration 36  
    Operation 24

## **H**

Housing, Positioning the 15

## **I**

Identification 2  
Installation 9

## **M**

Maintenance 37  
Mounting 9

## **O**

Operation 21

## **P**

Parts Replacement 37  
Piping, Typical Transmitter 14

## **R**

Reference Documents 1  
Reranging the Transmitter 35

## **S**

Specifications  
    Product Safety 7  
    Standard 3

**W**

Wiring 17

**Z**

Zero Adjustment Using External Zero Button 31

ISSUE DATES

DEC 2001

OCT 2003

APR 2004

FEB 2005

FEB 2006

Vertical lines to right of text or illustrations indicate areas changed at last issue date.

33 Commercial Street  
Foxboro, MA 02035-2099  
United States of America  
<http://www.foxboro.com>  
Inside U.S.: 1-866-746-6477  
Outside U.S.: 1-508-549-2424 or  
contact your local Foxboro  
Representative.  
Facsimile: (508) 549-4492

Invensys, Foxboro, and I/A Series are trademarks of Invensys plc, its subsidiaries, and affiliates.  
All other brand names may be trademarks of their respective owners.

Copyright 2001-2006 Invensys Systems, Inc.  
All rights reserved

Printed in U.S.A.

0206