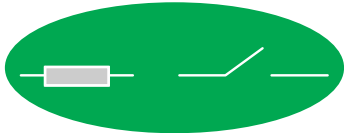


Fuse Terminal Blocks



Fuse blocks are available for 1/4", 5 mm, Class CC and midsize size fuses, either with or without a blown fuse LED. LED fuse blocks are polarity sensitive. The hinge side is positive.



DN-F6 Series: EURO S10-H



DN-F6L Series: EURO S10-H

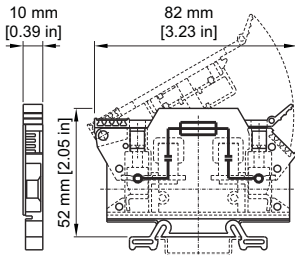


DN-F10 Series: EURO S4LH

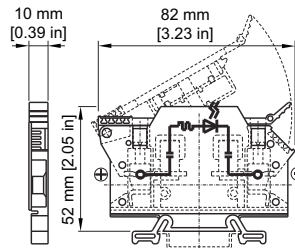


DN-F10L Series: EURO S4LH

DN-F6



DN-F6L



	Part Number	Pcs/Pkg	Price/Pkg	Part Number	Pcs/Pkg	Price/Pkg	Part Number	Pcs/Pkg	Price/Pkg	Part Number	Pcs/Pkg	Price/Pkg
Gray Term Blk	DN-F6	25	<-->	-	-	-	DN-F10	50	<-->	-	-	-
12-24VAC/DC*	-	-	-	DN-F6L24	10	<-->	-	-	-	DN-F10L24	10	<-->
110VAC/DC*	-	-	-	DN-F6L110	10	<-->	-	-	-	DN-F10L110	10	<-->
220VAC/DC*	-	-	-	DN-F6L220	10	<-->	-	-	-	DN-F10L220	10	<-->

Fuse Terminal Blocks Specifications

UL Approval**	600V 30A 20-6 AWG	600V 30A 20-6 AWG	300V 15A 24-10 AWG	300V 15A 24-10 AWG
CSA Approval	600V 30A 18-6 AWG	600V 30A 18-6 AWG	300V 8A 18-12 AWG	300V 8A 18-12 AWG
VDE Approval	750V 8A -	750V 8A -	500V 8A 4mm ²	500V 8A 4mm ²
CE Conformity	CE 23/20, CE 23/21	CE 23/20, CE 23/21	CE 23/20, CE 23/21	CE 23/20, CE 23/21
Agency File #	E179129, LR84816	E179129, LR84816	E179129, LR84816	E179129, LR84816
Wire Strip Length	0.47" (12mm)	0.47" (12mm)	0.39" (10mm)	0.39" (10mm)
Tightening Torque	18.0 lb-in (2.0Nm)	18.0 lb-in (2.0Nm)	5.5 lb-in (0.6Nm)	5.5 lb-in (0.6Nm)
Density	30 pcs./ft. (100/m)	30 pcs./ft. (100/m)	30 pcs./ft. (100/m)	30 pcs./ft. (100/m)
Fuse Size (not supplied)	1 1/4" X 1/4"	1 1/4" X 1/4"	5x20mm-5x25mm	5x20mm-5x25mm
Indicator Type	Non-indicating	LED blown fuse indicator	Non-indicating	LED blown fuse indicator
Operating Temperature	Ambient air temperature: -13°F to 104°F (-25°C to 40°C) Relative humidity: 50% max at 104°F (40°C); 90% max at 68°F (20°C)			

Notes: * Working voltage ** For copper wire only

Accessories

	Part Number	Pcs/Pkg	Price/Pkg
35 mm DIN Rail	DN-R35S1 (7.5 mm) or DN-R35HS1 (15 mm)	10	various
	DN-R35S1-2 (7.5 mm) or DN-R35HS1-2 (15 mm)	2	various
End Bracket	DN-EB35	50	<-->
	DN-EB35MN	20	<-->
	DN-EB35-A or DN-QEB35	50	various
	DN-EB35-A-10 or DN-QEB35-10	10	various
End Cover	Included		
Marking Tags	DN-L*/DN-LT** series	500/100	various
Angled Support Bracket	DN-ASB1	50	<-->

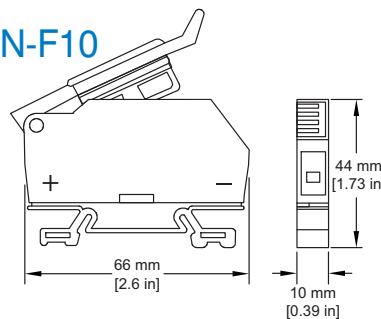
Notes: * On lever arm, ** On terminal body

For more information on accessories, see the DINnectors Accessories section of this chapter.

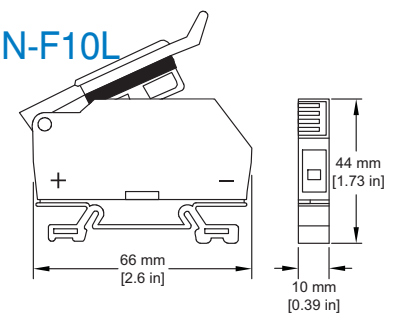
Note: DN-F6 series fuse holders will accommodate the following AutomationDirect fuses: ABC, AGC, MDA and MDL.

DN-F10 series fuse holders will accommodate the following AutomationDirect fuses: GMA, GMC, S500, and S506.

DN-F10



DN-F10L



Marking Accessories



DN-LB (blank) shown above



DN-LAB (blank) shown on left; part of DN-LA100 on right

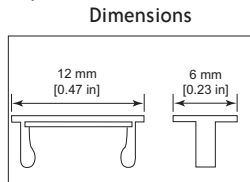


DN-LTA marker shown top; DN-LT60 marker shown middle; DN-LTGND shown bottom

DN-L

Fits terminal block types: All except, **Screwless DINnectors**, DN-T12-A, DN-M10-A, DN-MG, and DN-TL series
Material: Thermoplastic with heat embossed black print

- Note:
- The marking sequence of 50 tags (i.e. 101-150) is printed 10 times in each package of 500 tags.
 - The DN-L tags fit all **DINnectors** 6mm wide and wider.
 - The DN-L tags fit all **DINnectors** 5mm wide and wider but will leave a gap between tags on blocks wider than 5mm.

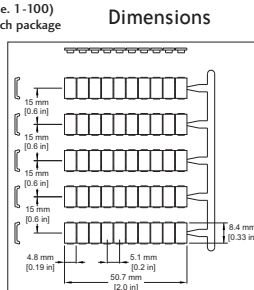


Marking Sequence	Part#	Pcs/Pkg	Price
1-50	DN-L50	500	<-->
51-100	DN-L100	500	<-->
101-150	DN-L150	500	<-->
151-200	DN-L200	500	<-->
201-250	DN-L250	500	<-->
251-300	DN-L300	500	<-->
301-350	DN-L350	500	<-->
351-400	DN-L400	500	<-->
401-450	DN-L450	500	<-->
Blank	DN-LB	500	<-->
L1, L2, L3, L, N, GND, +, -, COM, COM*	DN-LS	500	<-->

DN-QL

Fits terminal block types: Screwless
Material: Thermoplastic with heat embossed black print. Packaged 100 labels per card, and five cards per box.

- Note:
- The marking sequence (i.e. 1-100) is printed five times in each package of 500 tags.

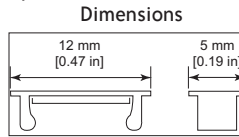


Marking Sequence	Part #	Pcs/Pkg	Price
1-100	DN-QL100	500	<-->
101-200	DN-QL200	500	<-->
201-300	DN-QL300	500	<-->
301-400	DN-QL400	500	<-->
401-500	DN-QL500	500	<-->
Blank Tags	DN-QLB	500	<-->

DN-LA

Fits terminal block types: DN-T12-A series
Material: Thermoplastic with heat embossed black print

- Note:
- The marking sequence (i.e. 1-100) is printed five times in each package of 500 tags.
 - The DN-T12-A series is 5mm wide, so the 6mm wide DN-L tags do not fit these blocks.
 - The DN-LA tags fit all **DINnectors** 5mm wide and wider but will leave a gap between tags on blocks wider than 5mm.

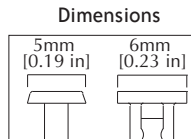


Marking Sequence	Part#	Pcs/Pkg	Price
1-100	DN-LA100	500	<-->
101-200	DN-LA200	500	<-->
201-300	DN-LA300	500	<-->
301-400	DN-LA400	500	<-->
Blank Tags	DN-LAB	500	<-->
L1, L2, L3, L, N, GND, +, -, COM, COM*	DN-LAS	500	<-->

DN-LAT

Fits terminal block types: Triple level
Material: Thermoplastic with heat embossed black print

- Note:
- The marking sequence (i.e. 1-100) is printed five times in each package of 500 tags.

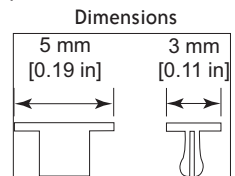


Marking Sequence	Part#	Pcs/Pkg	Price
1-100	DN-LAT100	500	<-->
101-200	DN-LAT200	500	<-->
201-300	DN-LAT300	500	<-->
301-400	DN-LAT400	500	<-->
Blank Tags	DN-LATB	500	<-->
L1, L2, L3, L, N, GND, +, -, COM, COM*	DN-LATS	500	<-->

DN-LT

Fits terminal block types: All except **Screwless** (see DN-QL series)
Material: Thermoplastic with heat embossed black print

- Note:
- These marking tags allow the flexibility of creating custom marking sequences on site.
 - The DN-M10-A support a maximum of three digits (tags), while other **DINnectors** support up to four digits (tags).



Marking Sequence	Part#	Pcs/Pkg	Price
1-5	DN-LT15	100	<-->
6-0	DN-LT60	100	<-->
1	DN-LT1	100	<-->
2	DN-LT2	100	<-->
3	DN-LT3	100	<-->
4	DN-LT4	100	<-->
5	DN-LT5	100	<-->
6	DN-LT6	100	<-->
7	DN-LT7	100	<-->
8	DN-LT8	100	<-->
9	DN-LT9	100	<-->
0	DN-LT0	100	<-->
Unprinted	DN-LTBINK	100	<-->
A	DN-LTA	100	<-->
B	DN-LTB	100	<-->
C	DN-LTC	100	<-->
D	DN-LTD	100	<-->
E	DN-LTE	100	<-->
F	DN-LTF	100	<-->
G	DN-LTG	100	<-->
H	DN-LTH	100	<-->
I	DN-LTI	100	<-->
J	DN-LTJ	100	<-->
K	DN-LTK	100	<-->
L	DN-LTL	100	<-->
M	DN-LTM	100	<-->
N	DN-LTN	100	<-->
-	-	-	-
P	DN-LTP	100	<-->
Q	DN-LTQ	100	<-->
R	DN-LTR	100	<-->
S	DN-LTS	100	<-->
T	DN-LTT	100	<-->
U	DN-LTU	100	<-->
V	DN-LTV	100	<-->
W	DN-LTW	100	<-->
X	DN-LTX	100	<-->
Y	DN-LTY	100	<-->
Z	DN-LTZ	100	<-->
±	DN-LTGND	100	<-->
+	DN-LTPOS	100	<-->
-	DN-LTNEG	100	<-->
~	DN-LTAC	100	<-->
=	DN-LTDC	100	<-->

Company Information

Systems Overview

Programmable Controllers

Field I/O

Software

C-more & other HMI

Drives

Soft Starters

Motors & Gearbox

Steppers/ Servos

Motor Controls

Proximity Sensors

Photo Sensors

Limit Switches

Encoders

Current Sensors

Pressure Sensors

Temperature Sensors

Pushbuttons/ Lights

Process

Relays/ Timers

Comm.

Terminal Blocks & Wiring

Power

Circuit Protection

Enclosures

Tools

Pneumatics

Appendix

Product Index

Part # Index

DINnectors Accessories – Marking

Terminal Marking Accessories



DN-EMLBL1

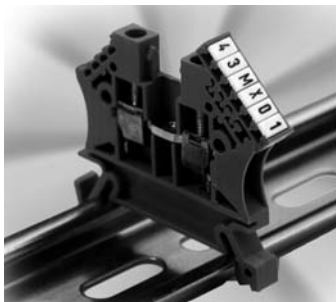


DN-EMLBL2



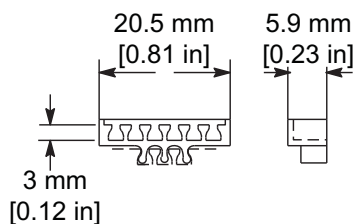
DN-EMLBL3

Part #	Description	For Use With	Pcs/Pkg	Price Each
DN-EMLBL1	Blank labels	DN-EMPEG1 pin protectors for DN-xEMXxx plug-in terminal blocks	100	<--->
DN-EMLBL2	Labels printed 1 – 12		100	<--->
DN-EMLBL3	Labels printed 13 – 24		100	<--->



DN-MTA marking tag adapter

DN-MTA dimensions



Part#	Description	Pcs/Pkg	Price Each
DN-MTA	Marking tag adapter holds up to six DN-LT tags	50	<--->

Note:
DN-MTA adapter does not fit DN-T12-A terminal blocks.

Marking Pen – for terminal and wire marking tags

- Permanent
- Smudge-proof
- Waterproof
- Weatherproof
- Lightfast (won't fade)
- Dries in seconds (excellent for left-handed users)
- Dry-safe (pen can be left uncapped for days without drying out)
- Low odor ink

Part#	Description	Pcs/Pkg	Price Each
DN-MP	Indelible black ink marking pen	1	<--->



Marking pen

Wire Marking Accessories



DN-WMTAG1 wire tags & DN-WM-x wire tag holders

Part #	Description	For Use With	Pcs/Pkg	Price Each
DN-WMTAG1	wire tag – blank	all DN-WM-x wire tag holders	525	<--->
DN-WM-1	wire tag holder, clear, 12 mm length, 0.051–0.118 in diameter; for 22–16 AWG wire	DN-WMTAG1	200	<--->
DN-WM-2	wire tag holder, clear, 12 mm length, 0.098–0.196 in diameter; for 16–11 AWG wire		200	<--->
DN-WM-3	wire tag holder, clear, 12 mm length, 0.157–0.393 in diameter; for 13–5 AWG wire		100	<--->
DN-WM-4	wire tag holder, clear, 12 mm length, 0.314–0.629 in diameter; for 5 AWG wire		100	<--->