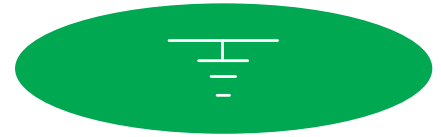


Ground Terminal Blocks



Ground terminal blocks are used to mechanically and electrically connect wires to the DIN rail by means of a conducting clamping foot. In this way, the DIN rail can function as a ground bus bar.

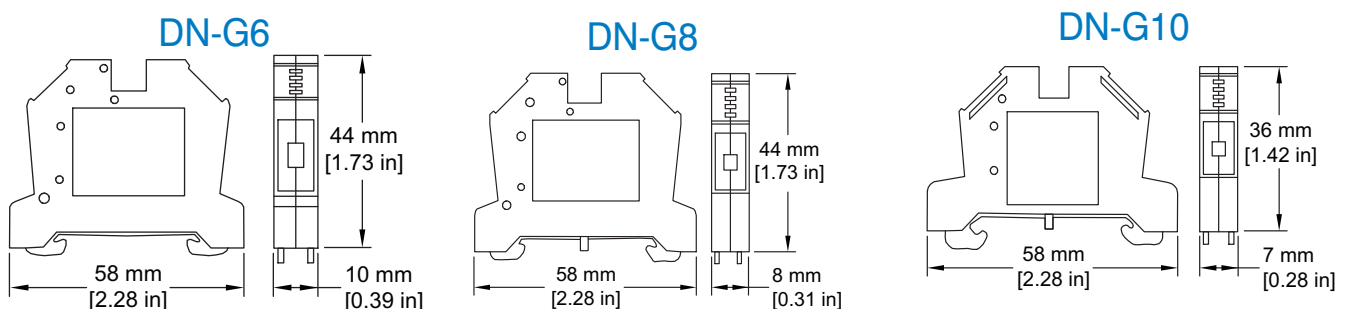
Note: The use of an end bracket is not required when a ground block is positioned at the end of a terminal block assembly.

Ground blocks are molded in green and yellow per international standards.

Ground Block	Part Number	Pcs/Pkg	Price/Pkg	Part Number	Pcs/Pkg	Price/Pkg	Part Number	Pcs/Pkg	Price/Pkg
	DN-G10	50	<--->	DN-G8	50	<--->	DN-G6	50	<--->
	DN-G10-10	10	<--->	DN-G8-10	10	<--->	DN-G6-10	10	<--->
Ground Terminal Blocks Specifications									
UL Approval *	-	-	24-10AWG	-	-	22-8AWG	-	-	20-6AWG
CSA Approval	-	-	18-12AWG	-	-	18-8AWG	-	-	18-6AWG
VDE Approval	-	-	4mm ²	-	-	6mm ²	-	-	10mm ²
CE Conformity	CE 23/20, CE 23/21			CE 23/20, CE 23/21			CE 23/20, CE 23/21		
Agency File #	E179129, LR84816			E179129, LR84816			E179129, LR84816		
Wire Strip Length	0.39 in (10 mm)			0.47 in (12 mm)			0.51 in (13 mm)		
Terminal Screw Torque	7 lb-in (0.8 N-m)			10 lb-in (1.1 N-m)			20 lb-in (2.3 N-m)		
Ground Screw Torque				7 lb-in (0.8 N-m)					
Density	43 pcs/ft (142/m)			38 pcs/ft (125/m)			30 pcs/ft (100/m)		
Operating Temperature	Ambient air temperature: -13°F to 104°F (-25°C to 40°C) Relative humidity: 50% max at 104°F (40°C); 90% max at 68°F (20°C)								
<i>* For copper wire only</i>									

Accessories			
	Part Number	Pcs/Pkg	Price/Pkg
35 mm DIN Rail	DN-R35S1 (7.5 mm) or DN-R35HS1 (15 mm)	10	various
	DN-R35S1-2 (7.5 mm) or DN-R35HS1-2 (15 mm)	2	various
Marking Tags	DN-L*/DN-LT** series	500/100	various
Angled Support Bracket	DN-ASB1	50	<--->
Notes: * On lever arm, ** On terminal body			

For more information on accessories, see the DINnectors Accessories section of this chapter.



Ground Terminal Blocks, continued



Ground terminal blocks are used to mechanically and electrically connect wires to the DIN rail by means of a conducting clamping foot. In this way, the DIN rail can function as a ground bus bar.

Note: The use of an end bracket is not required when a ground block is positioned at the end of a terminal block assembly.

Ground blocks are molded in green and yellow per international standards.

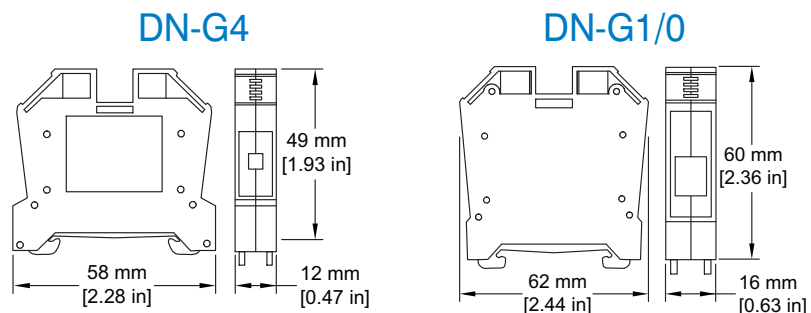


Ground Block	Part Number	Pcs/Pkg	Price/Pkg	Part Number	Pcs/Pkg	Price/Pkg
	DN-G4	25	<--->	DN-G1/0	25	<--->
Ground Terminal Blocks Specifications						
UL Approval	–	–	14-4AWG	–	–	14-1/0AWG
CSA Approval	–	–	14-4AWG	–	–	14-1/0AWG
VDE Approval	–	–	25mm ²	–	–	35mm ²
CE Conformity	CE 23/20, CE 23/21			CE 23/20, CE 23/21		
Agency File #	E179129, LR84816			E179129, LR84816		
Wire Strip Length	0.55" (14mm)			0.71" (18mm)		
Terminal Screw Torque	30 lb-in (3.4 N-m)			45 lb-in (5.1 N-m)		
Ground Screw Torque	10 lb-in (1.1 N-m)					
Density	25 pcs./ft. (83/m)			19 pcs./ft. (62/m)		

Accessories			
	Part Number	Pcs/Pkg	Price/Pkg
35 mm DIN Rail	DN-R35S1 (7.5 mm) or DN-R35HS1 (15 mm)	10	various
	DN-R35S1-2 (7.5 mm) or DN-R35HS1-2 (15 mm)	2	various
Marking Tags	DN-L */DN-LT** series	500/100	various
Angled Support Bracket	DN-ASB1	50	<--->

*Notes: * On lever arm, ** On terminal body*

For more information on accessories, see the DINnectors Accessories section of this chapter.



Marking Accessories



DN-LB (blank) shown above



DN-LAB (blank) shown on left; part of DN-LA100 on right

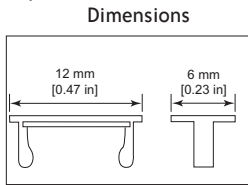


DN-LTA marker shown top; DN-LT60 marker shown middle; DN-LTGND shown bottom

DN-L

Fits terminal block types: All except, **Screwless DINnectors**, DN-T12-A, DN-M10-A, DN-MG, and DN-TL series
Material: Thermoplastic with heat embossed black print

- Note:
- The marking sequence of 50 tags (i.e. 101-150) is printed 10 times in each package of 500 tags.
 - The DN-L tags fit all **DINnectors** 6mm wide and wider.
 - The DN-L tags fit all **DINnectors** 5mm wide and wider but will leave a gap between tags on blocks wider than 5mm.

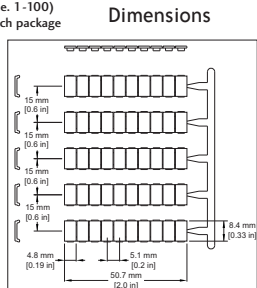


Marking Sequence	Part#	Pcs/Pkg	Price
1-50	DN-L50	500	<--->
51-100	DN-L100	500	<--->
101-150	DN-L150	500	<--->
151-200	DN-L200	500	<--->
201-250	DN-L250	500	<--->
251-300	DN-L300	500	<--->
301-350	DN-L350	500	<--->
351-400	DN-L400	500	<--->
401-450	DN-L450	500	<--->
Blank	DN-LB	500	<--->
L1, L2, L3, L, N, GND, +, -, COM, COM*	DN-LS	500	<--->

DN-QL

Fits terminal block types: Screwless
Material: Thermoplastic with heat embossed black print. Packaged 100 labels per card, and five cards per box.

- Note:
- The marking sequence (i.e. 1-100) is printed five times in each package of 500 tags.

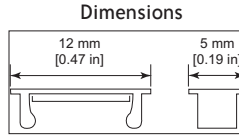


Marking Sequence	Part #	Pcs/Pkg	Price
1-100	DN-QL100	500	<--->
101-200	DN-QL200	500	<--->
201-300	DN-QL300	500	<--->
301-400	DN-QL400	500	<--->
401-500	DN-QL500	500	<--->
Blank Tags	DN-QLB	500	<--->

DN-LA

Fits terminal block types: DN-T12-A series
Material: Thermoplastic with heat embossed black print

- Note:
- The marking sequence (i.e. 1-100) is printed five times in each package of 500 tags.
 - The DN-T12-A series is 5mm wide, so the 6mm wide DN-L tags do not fit these blocks.
 - The DN-LA tags fit all **DINnectors** 5mm wide and wider but will leave a gap between tags on blocks wider than 5mm.

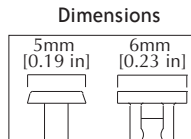


Marking Sequence	Part#	Pcs/Pkg	Price
1-100	DN-LA100	500	<--->
101-200	DN-LA200	500	<--->
201-300	DN-LA300	500	<--->
301-400	DN-LA400	500	<--->
Blank Tags	DN-LAB	500	<--->
L1, L2, L3, L, N, GND, +, -, COM, COM*	DN-LAS	500	<--->

DN-LAT

Fits terminal block types: Triple level
Material: Thermoplastic with heat embossed black print

- Note:
- The marking sequence (i.e. 1-100) is printed five times in each package of 500 tags.

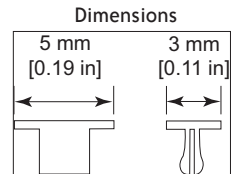


Marking Sequence	Part#	Pcs/Pkg	Price
1-100	DN-LAT100	500	<--->
101-200	DN-LAT200	500	<--->
201-300	DN-LAT300	500	<--->
301-400	DN-LAT400	500	<--->
Blank Tags	DN-LATB	500	<--->
L1, L2, L3, L, N, GND, +, -, COM, COM*	DN-LATS	500	<--->

DN-LT

Fits terminal block types: All except **Screwless** (see DN-QL series)
Material: Thermoplastic with heat embossed black print

- Note:
- These marking tags allow the flexibility of creating custom marking sequences on site.
 - The DN-M10-A support a maximum of three digits (tags), while other **DINnectors** support up to four digits (tags).



Marking Sequence	Part#	Pcs/Pkg	Price
1-5	DN-LT15	100	<--->
6-0	DN-LT60	100	<--->
1	DN-LT1	100	<--->
2	DN-LT2	100	<--->
3	DN-LT3	100	<--->
4	DN-LT4	100	<--->
5	DN-LT5	100	<--->
6	DN-LT6	100	<--->
7	DN-LT7	100	<--->
8	DN-LT8	100	<--->
9	DN-LT9	100	<--->
0	DN-LT0	100	<--->
Unprinted	DN-LTBINK	100	<--->
A	DN-LTA	100	<--->
B	DN-LTB	100	<--->
C	DN-LTC	100	<--->
D	DN-LTD	100	<--->
E	DN-LTE	100	<--->
F	DN-LTF	100	<--->
G	DN-LTG	100	<--->
H	DN-LTH	100	<--->
I	DN-LTI	100	<--->
J	DN-LTJ	100	<--->
K	DN-LTK	100	<--->
L	DN-LTL	100	<--->
M	DN-LTM	100	<--->
N	DN-LTN	100	<--->
-	-	-	-
P	DN-LTP	100	<--->
Q	DN-LTQ	100	<--->
R	DN-LTR	100	<--->
S	DN-LTS	100	<--->
T	DN-LTT	100	<--->
U	DN-LTU	100	<--->
V	DN-LTV	100	<--->
W	DN-LTW	100	<--->
X	DN-LTX	100	<--->
Y	DN-LTY	100	<--->
Z	DN-LTZ	100	<--->
±	DN-LTGND	100	<--->
+	DN-LTPOS	100	<--->
-	DN-LTNEG	100	<--->
~	DN-LTAC	100	<--->
=	DN-LTDC	100	<--->

Company Information

Systems Overview

Programmable Controllers

Field I/O

Software

C-more & other HMI

Drives

Soft Starters

Motors & Gearbox

Steppers/ Servos

Motor Controls

Proximity Sensors

Photo Sensors

Limit Switches

Encoders

Current Sensors

Pressure Sensors

Temperature Sensors

Pushbuttons/ Lights

Process

Relays/ Timers

Comm.

Terminal Blocks & Wiring

Power

Circuit Protection

Enclosures

Tools

Pneumatics

Appendix

Product Index

Part # Index

DINnectors Accessories – Marking

Terminal Marking Accessories



DN-EMLBL1

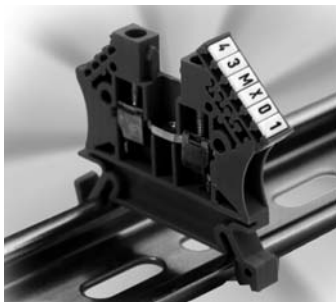


DN-EMLBL2



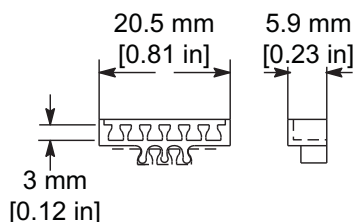
DN-EMLBL3

Part #	Description	For Use With	Pcs/Pkg	Price Each
DN-EMLBL1	Blank labels	DN-EMPEG1 pin protectors for DN-xEMXxx plug-in terminal blocks	100	<--->
DN-EMLBL2	Labels printed 1 – 12		100	<--->
DN-EMLBL3	Labels printed 13 – 24		100	<--->



DN-MTA marking tag adapter

DN-MTA dimensions



Part#	Description	Pcs/Pkg	Price Each
DN-MTA	Marking tag adapter holds up to six DN-LT tags	50	<--->

Note:
DN-MTA adapter does not fit DN-T12-A terminal blocks.

Marking Pen – for terminal and wire marking tags

- Permanent
- Smudge-proof
- Waterproof
- Weatherproof
- Lightfast (won't fade)
- Dries in seconds (excellent for left-handed users)
- Dry-safe (pen can be left uncapped for days without drying out)
- Low odor ink

Part#	Description	Pcs/Pkg	Price Each
DN-MP	Indelible black ink marking pen	1	<--->



Marking pen

Wire Marking Accessories



DN-WMTAG1 wire tags & DN-WM-x wire tag holders

Part #	Description	For Use With	Pcs/Pkg	Price Each
DN-WMTAG1	wire tag – blank	all DN-WM-x wire tag holders	525	<--->
DN-WM-1	wire tag holder, clear, 12 mm length, 0.051–0.118 in diameter; for 22–16 AWG wire	DN-WMTAG1	200	<--->
DN-WM-2	wire tag holder, clear, 12 mm length, 0.098–0.196 in diameter; for 16–11 AWG wire		200	<--->
DN-WM-3	wire tag holder, clear, 12 mm length, 0.157–0.393 in diameter; for 13–5 AWG wire		100	<--->
DN-WM-4	wire tag holder, clear, 12 mm length, 0.314–0.629 in diameter; for 5 AWG wire		100	<--->